



RS500i WiFi[®]

INSTRUCTION MANUAL

Thank You For Your Recent Purchase

At Vaultek® we stand behind our product and you our customer. On behalf of the entire team thank you for your purchase. We believe personal defense should be handled seriously and we're excited for you to experience the ultimate performance in smart-security.

STAY SAFE. VAULTEK® SAFE.

Table of Contents

Product Overview	01 / 02
Introduction / Warnings	03 / 04
Battery Operation / Battery Maintenance	05 / 07
Battery Installation	05
Charging the Battery	06
Master Code Programming	08
Smart Align Biometric Scanner	09 / 12
Helpful Programming TIPS	09
Programming 1st and 2nd Fingerprints	10
Programming Additional Fingerprints 3-20	11
Deleting Fingerprints	12
Wi-Fi® Setup	12
Smart Key Operation / Smart Key Warnings	13 / 16
Smart Key Pairing	13
Toggle Smart Key Entry Modes	14
To Unpair Smart Key	14
Multiple Safe Management	15
Hot Keys	16 / 18
Tamper Detection	16
Toggle Stealth Mode	16
Toggle Travel Mode	16
Toggle Open Door Alarm	17
View Battery Status	17

Delete Fingerprints	17
Toggle Interior Light	17
Toggle LCD Brightness	17
View Temperature/Humidity	17
Toggle Fahrenheit/Celsius	18
Toggle Smart Key Modes	18
Toggle DMT Sensitivity	18
Toggle Dual Entry Mode	18
Factory Reset	18
Securing Your Safe	19
Modular Interior	19
Additional Accessories	19
Product Registration	20
FAQ	21 / 22
Troubleshooting	23
Customer Support / Warranty	24

Box Contents

Vaultek® RS500i Wi-Fi® Safe	AC Power Adapter and Charging Cable	Hardware Mounting Kit
Smart Key Nano and Battery	Barrel Mounts (2) + Extensions (2)	Owner's Manual/Quick Start Guide
18650 Rechargeable Lithium-ion Battery	Twin Pistol/AR Magazine Holster	Backup Keys (2)

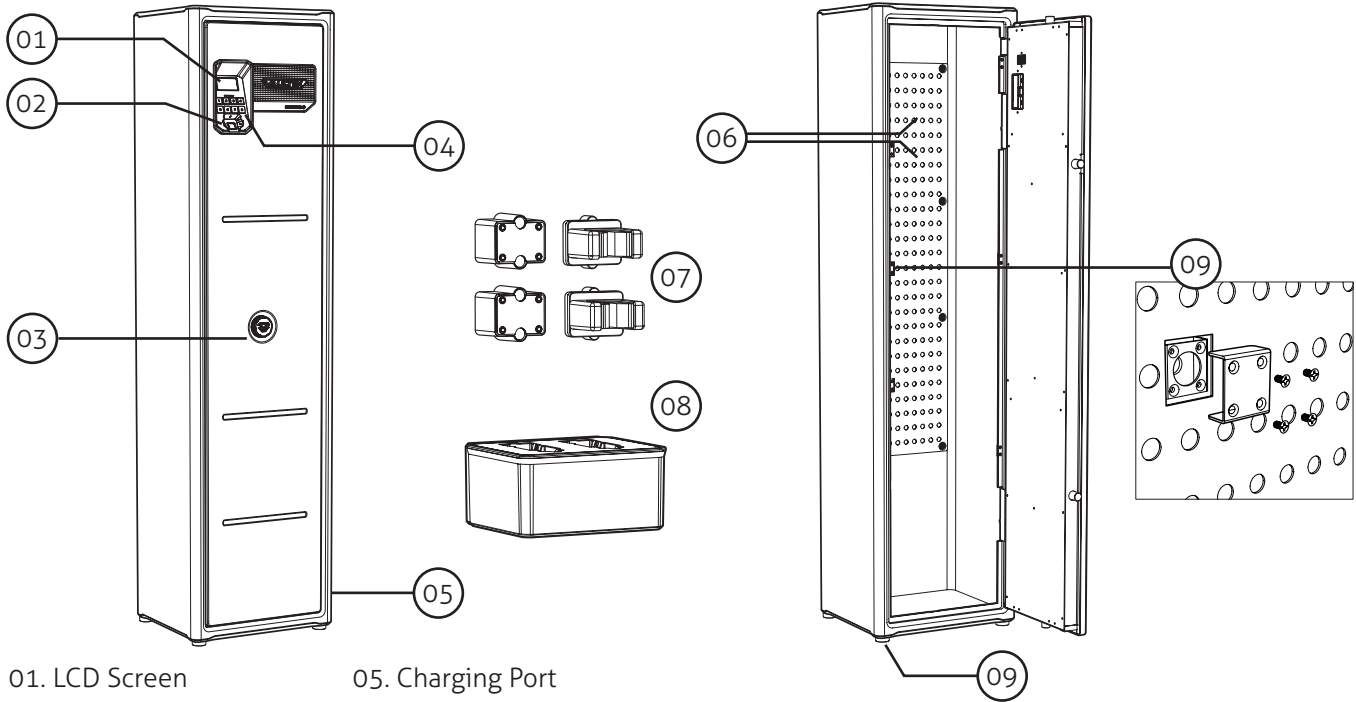
GET STARTED

[VAULTEKSAFE.COM/
RSWIFISERIES-SUPPORT](http://VAULTEKSAFE.COM/RSWIFISERIES-SUPPORT)

ONLINE TUTORIALS
Setup and Wi-Fi® guide.

Product Overview

Get to know your Vaultek® RS500i.



01. LCD Screen

02. Smart Align

Biometric Scanner

03. Key Hole Cover

04. Numeric Keypad

01 Vaultek®

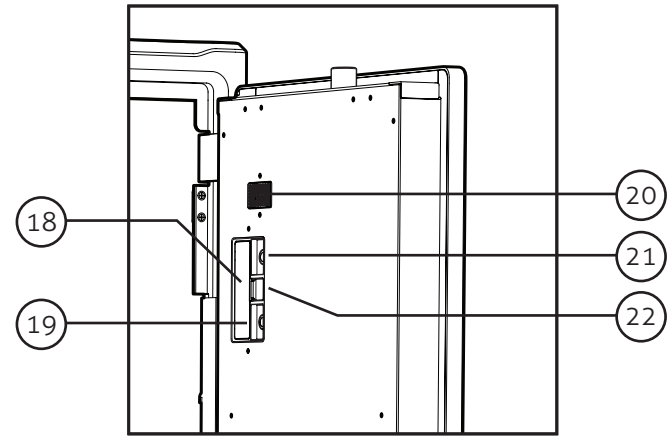
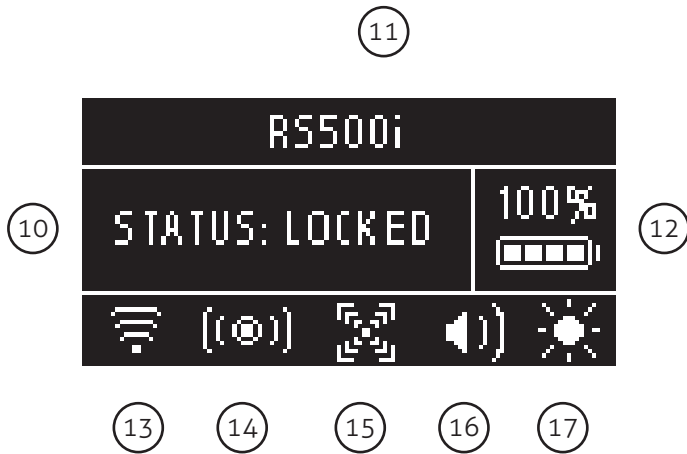
05. Charging Port

06. Perforated Mounting Board

07. Barrel Mounts + Extension Adapters

08. Twin Pistol / Magazine Holster

09: Pre-Drilled Mounting Holes



10. Safe Status

11. Safe Name

12. Battery Level

13. Wi-fi® On/Off

14. Smart Key Setting

15. DMT Setting

16. Sound On/Off

17. Interior LEDs On/Off

18. Battery Compartment

19. PROGRAM Button

20. Temperature/Humidity

Sensor Cover

21. LED Light Button

22. Micro-USB Port (Not for Charging)

Service Use Only

Introduction

The Vaultek® RS500i is a tough and rugged, quick access, Wi-Fi® enabled smart safe. Its solid structure and penetration resistant design makes it ideal for storing valuables such as firearms, jewelry, cash, and other personal items. Powered by a rechargeable lithium-ion battery, the safe combines high security with complete access control.

Secure Access How to open your Vaultek® Safe.

Biometric Scanner: Personalized access for up to 20 unique fingerprints. See pages 09 to 12 for more information.

Keypad: The numeric keypad responds quickly for rapid access and has a built-in proximity sensor that lights up when your hand brushes against the safe. See page 08 for more information.

Smart Key: Remote for On Demand access. See page 13 and 16 for more information.

Key: Two keys are provided for manual access to the safe in the event the battery dies.

Secure Defense How your Vaultek® Safe keeps people out.

Anti-Impact Latches: Built to withstand forceful impacts and heavy slams.

No External Access Points: A combination of interior mounted hinges and extended anti-pry reinforcement bars help prevent unwanted tools from attempting to break the safe open.

Security Sleep Mode: Activates when six (6) consecutive incorrect keypad entries are entered or (6) incorrect fingerprint scans are made. The safe will not accept any entries for four minutes. If any additional attempts are made the alarm will beep. The security sleep mode can be cleared upon unlock of the safe by any authorized access method including the backup keys.

DMT (Impact Detection): Motion activated alarm can be disabled or enabled with three levels of sensitivity (Low, Medium, and High) using the safe's hot key functions, online dashboard, or Vaultek® Wi-Fi® app.

Alert Notifications: Wi-Fi® connectivity allows you to receive alerts such as push notifications and text alerts during critical safe activity. This includes battery levels, impacts, extreme temperatures, tampering, and anytime the safe is opened.

Warnings

To prevent damage to your Vaultek® unit or injury to yourself or to others, read the following safety precautions before using this unit.

DO NOT PLACE OR STORE THE BACKUP KEYS INSIDE THE SAFE AT ANY TIME. IF THE BATTERY FAILS, YOU WILL BE UNABLE TO OPEN THE SAFE.

DO NOT expose to extreme heat or cold. Battery power may be affected.

DO NOT store loaded guns in this unit. Firearms are serious in nature and must be handled with respect. Store responsibly.

DO NOT get fingerprint sensor wet.

ALWAYS check to make sure door has latched when closing; door requires a firm press and locks automatically.

DISCLAIMERS:

NEITHER SELLER NOR MANUFACTURER SHALL BE LIABLE FOR UNAUTHORIZED ACCESS, ANY INJURY, LOSS OR DAMAGE TO PERSONAL PROPERTY DIRECT OR CONSEQUENTIAL, ARISING OUT OF THE USE OF, OR THE INABILITY TO USE THE VAULTEK® SAFE.

THE USER SHALL DETERMINE THE SUITABILITY OF THE VAULTEK® SAFE BEFORE THE INTENDED USE AND USER ASSUMES ALL RISK AND LIABILITY WHATSOEVER IN CONNECTION THEREWITH. VAULTEK® SAFES ARE NOT INTENDED TO PROTECT AGAINST ENVIRONMENTAL HAZARDS INCLUDING FIRE AND WATER.

Be sure and follow all local and state firearm laws.

DO NOT operate a firearm without proper training and experience.

Check page 16 for Smart Key warnings.

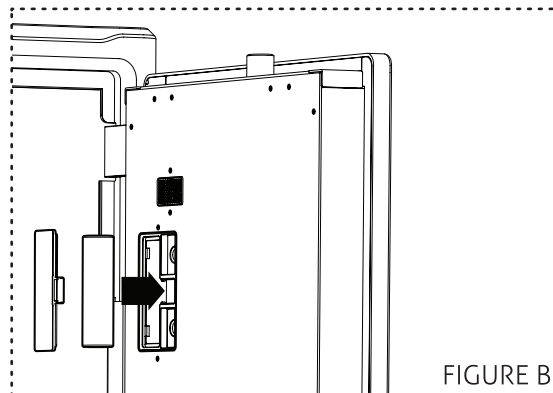
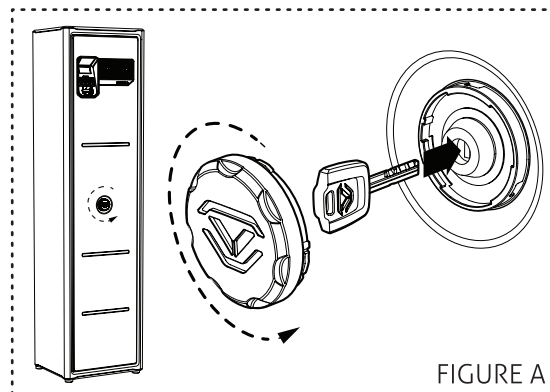
Wi-Fi® is a registered trademark of Wi-Fi Alliance®.

Battery Operation

Your safe uses a 3.6V 18650 rechargeable lithium-ion with a flat top. A minimum 2000 mAh capacity is required, however 2200 mAh or higher can be used to increase operation time.

Battery Installation

- 1 To get started, insert one of your backup keys into the keyhole located under the keyhole cover on the front door (see Figure A). Push key in and rotate the key 90 degrees clockwise to open the safe.
 - 2 Locate the battery compartment inside the safe on the backside of the front door (see Figure B).
 - 3 Remove the battery cover by pressing down on the tab near the top of the cover.
 - 4 Insert the 18650 rechargeable lithium-ion battery (included in accessory box) into the battery compartment. Note that your Vaultek® safe automatically detects the polarity of the battery and can be installed in either direction.
- TIP!** For easy removal make sure to place the pull string over the battery before replacing the cover.
- 5 When the battery is inserted you will hear a short welcome tone and the keypad will light up.
 - 6 Once you hear the tone replace the battery cover. You are now ready to program your safe.



IMPORTANT Your Vaultek® safe will automatically lock when you fully close the door.

Continue on next page for more information about the battery.

Charging the Battery

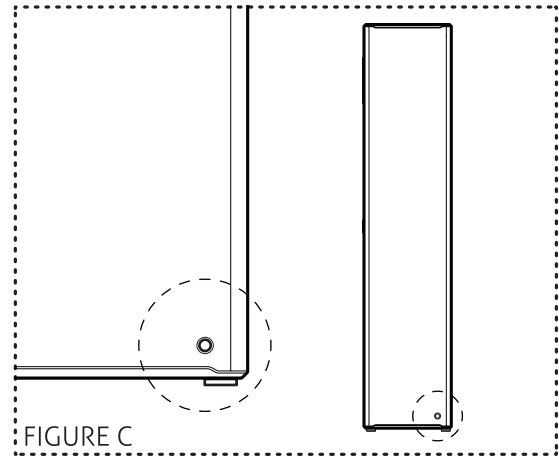
Your Vaultek® safe is powered by a rechargeable lithium-ion battery and comes with a charging kit which includes an AC power adapter and a charging cable. Safe and charging cable can be used with all international power adapters. Under normal usage, a fully charged battery can last up to one month.

Due to powerful features of the RS500i it is recommended to keep the safe plugged in.

- 1 To recharge the safe**, plug the charging cable into the receiving jack located on the lower right side of the safe (Figure C) and connect to a standard USB port or wall outlet using the AC power adapter. Approximate recharge time is 2.5 hours.
- 2** The LCD screen will indicate the power status.

Charging TIPS

- A** After installing the battery, use the charging kit provided to charge the unit 100%.
 - B** The charging kit can also function as an external power supply, which means you can open your safe even when the battery is depleted.
 - C** Leaving your safe plugged in continually will **not** harm the safe or battery.
 - D** A specially designed Vaultek Powerpack is available as a separate accessory to extend operation time.
 - E** The adapter used to charge the battery should output 5V/2000mA or above when using charging cable.
- See the FAQ section for additional information about the battery.



Battery Maintenance

Testing the Battery Power

To check the battery level, press and hold '6' and '8' key together on the keypad for 3 seconds.

Low Battery

If the LED on the control panel blinks RED several times and you hear several rapid beeps when opening the safe, your battery level is critically low and your safe needs to be recharged immediately.

Soft Reset TIP

In the event the battery dies or a soft reset is performed (battery removal and installation) the safe will restore default settings for DMT, interior light, sound, and the Smart Key. These settings will need to be readjusted, however the master code and fingerprint scanner will not be affected.

IMPORTANT

Use a 3.6V 18650 rechargeable lithium-ion battery with a flat top. A minimum 2000 mAh capacity is required, however 2200 mAh or higher can be used to increase operation time.

A high capacity battery upgrade is available as an accessory through our website.

The adapter used to charge the battery should output 5V/2000mA or above when using charging cable.

TUTORIALS ONLINE AT [VAULTEKSAFE.COM/RSWIFISERIES-SUPPORT](https://www.vaulteksafe.com/rswifiseries-support)

Master Code Programming

First time users should change the default code as soon as possible to prevent unauthorized access to your safe.

TIP: Code Requirements

- Your code can be a minimum of 4 and a maximum of 8 digits. We recommend a code 6 to 8 digits in length using at least one of each key to make it more difficult for someone to guess your code. For your security, the safe will time out and sleep for 4 minutes if 6 incorrect entries are made.
- Two keys cannot be pressed simultaneously.
- Programming a new code will overwrite your previous code.

- 1 Open the safe. With the safe open, press and hold the '1' key then the "PROGRAM" button together (3 seconds)(Figure D) until the LCD screen prompts you to enter your new code.
- 2 Enter your NEW master code.
- 3 Press and hold the '1' key then the "PROGRAM" button together a second time (3 seconds) until the LCD screen prompts you to re-enter your new code.
- 4 Enter your NEW master code a second time.
- 5 Press and hold the '1' key then the "PROGRAM" button together a third time (3 seconds) until the LCD screen confirms the code change is complete.

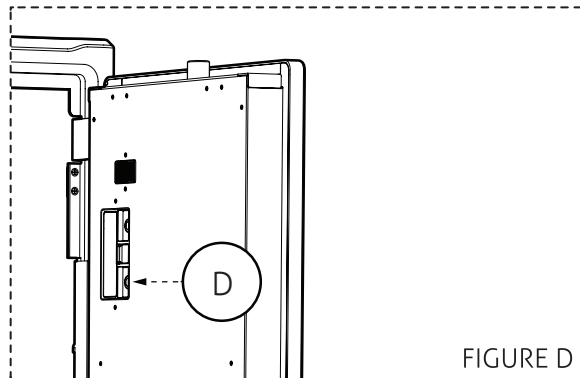


FIGURE D

If you make a mistake and the new code will not work, simply start over with step 1.

TUTORIALS ONLINE AT [VAULTEKSAFE.COM/RSWIFERIES-SUPPORT](https://www.vaulteksafe.com/rswiferies-support)

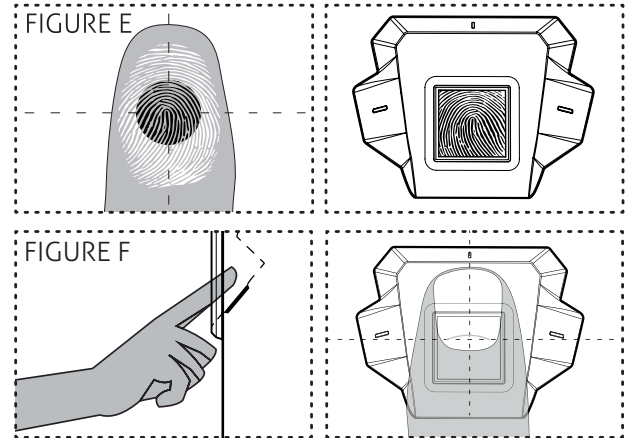
Smart Align Biometric Scanner

Biometrics are methods of authenticating the identity of a person based on physical or behavioral characteristics. Biometric fingerprint authentication refers to technology that measures and analyzes human physical characteristics for identification and authentication purposes. The smart align biometric system guides your finger placement for consistent and accurate results.

Everyone has their own unique fingerprints, and what makes them unique is the pattern of ridges, valleys, and minutiae points that comprise an individual print. Vaultek® and their leading engineering group has developed proprietary technology to read and match fingerprints with unmatched speed and accuracy. That means that only authorized users have access to your valuables. The safe is capable of storing fingerprint data for up to 20 unique authorized users. A user consists of 5 scans of the same finger during registration. Once a user's fingerprint data is stored in the safe and encrypted, it cannot be copied or stolen.

Helpful Programming TIPS

- **Place the core of the fingerprint flat** (Figure E+F) over the center of the scanner in line with the side LEDs (this allows the scanner to read where most of the fingerprint detail is located) see (Figure E).
- Adjust your finger slightly between scans for increased accuracy.
- Excessive moisture, lotions, or dirt will affect your fingerprint and may cause inaccurate sensor reading.
- If you are experiencing difficulty try different fingers. Each finger is unique and some fingers, such as your thumb, contain more readable information than others.
- To increase success rate register the same fingerprint multiple times.



ATTENTION! (Figure F)

Position your finger flat against the scanner to increase the amount of readable information.

Continue on next page for more information about the fingerprint scanner.

Programming the 1st and 2nd Fingerprints

The 1st and 2nd fingerprints will be recognized as administrative fingerprints and will be used to authorize additional users. To program additional users please refer to the next page.

- 1** Open the safe. Program 1st fingerprint by pressing and holding the '2' key then the "PROGRAM" button together (3 seconds)(Figure G) until the screen prompts you to scan the 1st of five scans.
- 2** Using the helpful programming tips provided on page 09 place your finger on the fingerprint scanner for the 1st of five scans. When the safe beeps, and the screen prompts the next scan remove your finger. If the screen indicates a failed to complete then start over with step 1.
- 3** Place finger again over the scanner until the safe beeps and the screen prompts the next scan and lift. You will repeat this process until all scans (1-5) are programmed.
- 4** Close door and test to see if the safe will open using your fingerprint. If you experience issues refer to the helpful programming tips listed on page 09 or check our tutorials online at vaulteksafe.com/rswifiseries-support.
- 5** Repeat steps 1 through 4 to add the 2nd administrative fingerprint.

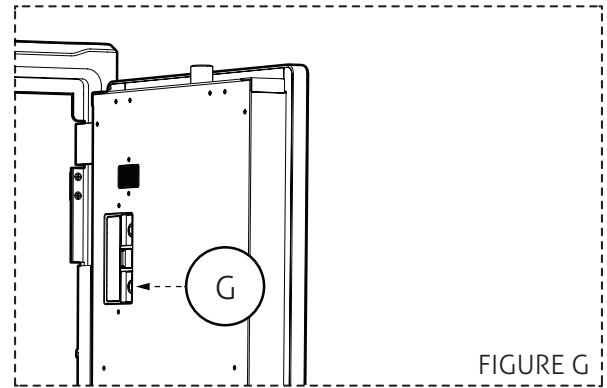


FIGURE G

Continue on next page to program fingerprints 3-20.

TUTORIALS ONLINE AT VAULTEKSAFE.COM/RSWIFISERIES-SUPPORT

Smart Align Biometric Scanner

Programming Additional Fingerprints 3-20

The first two fingerprints programmed into the safe are the administrative fingerprints. Any additional users programmed require authorization from one of these fingerprints.

- 1** Open the safe. Program additional fingerprints by pressing and holding the '2' then "PROGRAM" button together (3 seconds)(Figure G on page 10). The screen will prompt you to scan one of the administrative fingerprints.
- 2** Place one of the first two programmed administrative fingerprints on the scanner and remove when the safe beeps and screen authorizes the print. You can now program a NEW fingerprint.

TIP: If the administrative print is left on the scanner too long the safe will begin to program that fingerprint into the safe again and not the NEW fingerprint. If this happens start over with step 1.

- 3** Using the helpful programming tips provided on page 09 place the NEW finger on the scanner. When the safe beeps and the screen prompts the next scan remove your finger.
- 4** Place finger again over the scanner until the safe beeps and the screen prompts the next scan and lift. You will repeat this process until all scans (1-5) are programmed.

TUTORIALS ONLINE AT VAULTEKSAFE.COM/RSWIFISERIES-SUPPORT

Deleting Fingerprints

Individual fingerprints can not be deleted from the keypad on the safe. Following this procedure will erase all of the fingerprints including both administrative fingerprints. If you wish to delete individual fingerprints, you must use the Vaultek® Wi-Fi® app or online dashboard. This procedure will not affect the keypad master code.

TIP! Fingerprints can also be temporarily disabled. Using the online Web Dashboard or Vaultek® Wi-Fi® app individual prints can be temporarily disabled and can not access the safe. This does not delete the fingerprint, only temporarily disables it until enabled again as needed.

- 1 Press and hold the '3' key then the "PROGRAM" button together until the safe beeps and the screen prompts you to enter your master code.
- 2 Enter your master code on the keypad. If the code is correct, the safe will beep and the screen will indicate deletion of all the fingerprints.

Wi-Fi® Setup

Visit www.vaulteksafe.com/rswifiseries-support/ for complete setup instructions and tutorial videos.

TUTORIALS ONLINE AT VAULTEKSAFE.COM/RSWIFISERIES-SUPPORT

Smart Key Operation

Your Vaultek® safe supports quick access with the included Smart Key Nano. **Take caution when using this feature and be responsible. Security can be compromised in the event it is lost or stolen. Only pair Smart Key after thoroughly understanding the inherent risks.**

IMPORTANT

Before you can pair the Smart Key to your safe connect the pre-installed battery by removing the pull tab from the side of Smart Key (Figure H).

Smart Key Pairing

IMPORTANT Be sure to follow **ALL** steps for proper function:

- 1 Press and hold the '5' key then "PROGRAM" button together (3 seconds) until the LCD screen indicates CONNECTING.
- 2 Aim Smart Key Nano towards the safe and press. If the safe beeps and the screen indicates COMPLETE then the Smart Key has paired successfully. If the screen indicates FAILED TO PAIR then simply start over with step 1.
- 3 **Set Entry Mode:** After pairing, Smart Key Nano will be immediately active to test functionality, but then deactivate. Smart Key settings will need to be set to either On Demand or Progressive in order for Smart Key to open your safe. See next page for more information.

IMPORTANT Smart Key Nano should be mounted less than 6 feet away from safe for proper operation. Use in long range is not recommended as it may cause accidental opens.

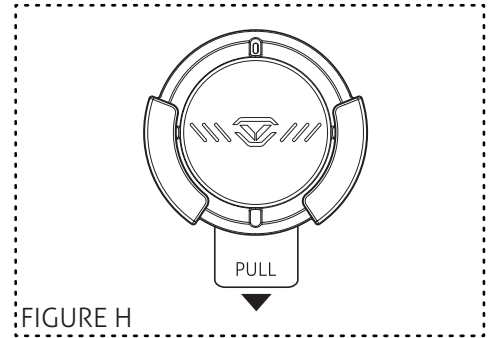


FIGURE H

TUTORIALS ONLINE AT [VAULTEKSAFE.COM/RSWIFISERIES-SUPPORT](https://www.vaulteksafe.com/rswifiseries-support)

Continue on next page for more information about Smart Key.

Toggle Smart Key Entry Modes

After pairing you can toggle between access modes from the keypad, Wi-Fi® smartphone app, or the online Web Dashboard. To toggle modes from the safe's keypad press and hold the '6' key then "PROGRAM" button together until the LCD screen indicates each mode as below.

OFF

Progressive Entry Mode Safe goes into sleep mode and will require you to wake up the safe before using Smart Key. You can wake up the safe by pressing any key or brushing your hand across the keypad of the safe (backlit keys will turn RED).

On Demand Entry Mode This mode grants immediate access to your safe without having to wake it up.

Warning: On Demand entry mode can open a safe in another room and/or out of sight. To reduce risk of an unattended open safe we recommend using Progressive entry mode.

On Demand entry mode requires significant power usage and can greatly reduce operation time. We suggest setting the Smart Key to Progressive entry mode to conserve battery, unless the safe is constantly plugged into a power outlet.

To Unpair Smart Key

NOTE: Disabling the Smart Key function from the Wi-Fi® app, Web Dashboard, or safe's keypad will NOT delete a paired key from the safe's memory. In the event a Smart Key is lost or stolen, you can delete the lost Smart Key from the safe's memory by using a couple different methods:

- A** Press and hold '5' key then "PROGRAM" button together (3 seconds) until the LED flashes RED and the LCD screen indicates CONNECTING. This is the same sequence used when initially pairing. After the screen indicates FAILED TO PAIR the safe will delete a paired Smart Key from memory.
- B** Anytime a new Smart Key is paired with the safe, the previous key will be erased from the safe's memory.

Smart Key Operation

Multiple Safe Management

- A** Multiple Smart Keys can not pair with the same safe. It is recommended to pair one Smart Key per safe.
- B** Recommended setting when using the Smart Key is Progressive entry mode.
- C** You can manage multiple safes through the Vaultek® Wi-Fi® smartphone app and Web Dashboard.

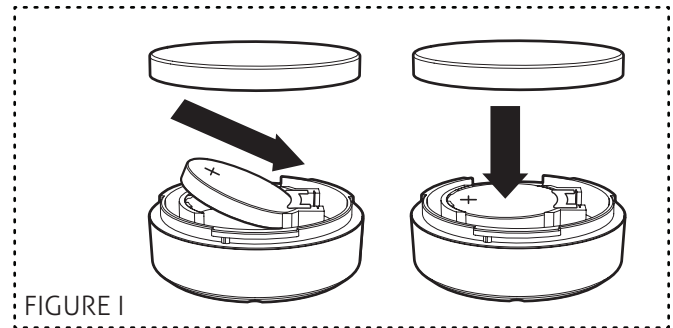
CAUTION when managing multiple safes in On Demand entry mode there is a chance you can open all safes within range.

Battery Replacement

The pre-installed battery will last approximately two years before requiring replacement. When needed follow the steps below to complete replacement.

- 1** Access the battery compartment by twisting the bottom battery cover counterclockwise, then remove the cover.
- 2** Remove the old battery by firmly lifting up on its sides to release it from its clips. A small screwdriver can help pry the battery out if used carefully.
- 3** Insert a new model CR2032 battery positive side (+) facing up. Be sure and insert the battery edge under the brass clip first (Figure I), then press firmly into place (Figure I). Replace the battery cover and twist clockwise to tighten in place.

TIP! The battery will not install correctly without first being placed under the brass clip. Damage to the remote may occur.





Smart Key Warnings

Take caution when using this feature and be responsible. Security can be compromised in the event Smart Key is lost or stolen. Only pair Smart Key after thoroughly understanding the inherent risks.

WARNING anyone including children can access the safe via Smart Key.

WARNING On Demand entry mode can open a safe in another room and/or out of sight. To reduce risk of an unattended open safe we recommend using Progressive entry mode.

ALWAYS unpair Smart Key in the event it is lost or stolen.

IMPORTANT On Demand entry mode requires significant power usage and can greatly reduce operation time on a single charge. We suggest keeping the safe in Progressive entry mode. If using On Demand entry mode try keeping the safe plugged in.

Hot Keys More Hot Keys on the next page.

Use the numeric keypad (Figure J) on the front of the safe to access the numerous Hot Key functions available.

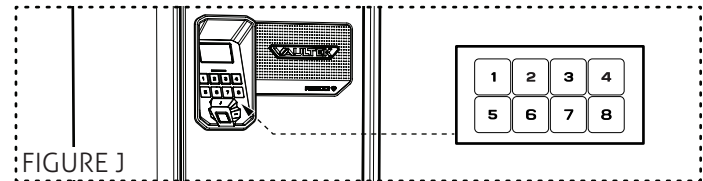


FIGURE J

Tamper Detection

Press and hold '2' and '4'

To check for tampering press and hold keys '2' and '4' together for 3 seconds. The screen will indicate TAMPERING or CLEAR. You can reset the tamper detection by opening the safe through one of the authorized entry points. Tampering includes incorrect keypad entries as well as incorrect fingerprint scans.

Toggle Stealth Mode

Press and hold '1' and '3'

To toggle the sound ON/OFF press and hold keys '1' and '3' together for 3 seconds. The screen will indicate the sound is ON and beep or the screen will indicate OFF and not beep.

Toggle Travel Mode

Press and hold '1' and '8'

Save battery life by disabling the proximity sensor, fingerprint sensor, keypad, and status bar. To toggle travel mode ON/OFF press and hold keys '1' and '8' together for 3 seconds. The screen will indicate ENABLED or DISABLED.

Hot Keys

Toggle Open Door Alarm

Press and hold '3' and '5'

Your safe features an open door alarm that will sound when the safe door is left open for more than 6 minutes. By default, this alarm is ON. To toggle OFF press and hold keys '3' and '5' at the same time.

View Battery Status

Press and hold '6' and '8'

To check the battery level press and hold keys '6' and '8' together for 3 seconds. The screen will indicate the battery level. See pages 06 to 07 for more information.

Delete Fingerprints

Press and hold '3' then "PROGRAM" button then enter master code

To delete fingerprints press and hold the '3' key then "PROGRAM" button together until the safe beeps and the screen prompts you to enter your master code. Enter your master code on the keypad. If the code is correct, the safe will beep and the screen will indicate deletion of all the fingerprints. This will remove ALL the fingerprints. To delete individual fingerprints you can use the Vaultek® Wi-Fi® smartphone app or Web Dashboard.

Toggle Interior Light

Press and hold '5' and '7'

To toggle the interior light ON/OFF press and hold keys '5' and '7' together for 3 seconds. With the light toggled to ON you can press the LIGHT button inside the safe to illuminate the LED lights and you can also adjust the brightness from the Vaultek® Wi-Fi® smartphone app or Web Dashboard. If the light is toggled OFF the light will be disabled.

Toggle LCD Brightness

Press and hold '5' and '8'

The LCD screen has four brightness levels: 25%, 50%, 75%, and 100%. To toggle the LCD brightness press and hold '5' and '8' together for 3 seconds. The screen will indicate the brightness level.

View Temperature/ Humidity

Press and hold '2' and '5'

Your Vaultek® safe has built in sensors to monitor the internal temperature as well as the relative humidity inside your safe. Press keys '2' and '5' together to display the information on your safe's LCD screen. You can also monitor the safe's temperature and humidity from the Vaultek® Wi-Fi® smartphone app and online Web Dashboard. You even have the option to set thresholds and be alerted of any significant changes.

Toggle Fahrenheit/Celsius

Press and hold '2' and '6'

By default, the safe will measure temperature in Fahrenheit. By pressing keys '2' and '6' together you can toggle the display to show temperature in either Fahrenheit or Celsius.

Toggle Smart Key Modes

Press and hold '6'
then "PROGRAM" button

Smart Key has THREE modes: OFF, Progressive Entry Mode, and On Demand Entry Mode. **OFF** disables Smart Key access. **Progressive Entry Mode** requires that you wake the safe first (keypad illuminates red) and then activate the Smart Key. **On Demand Entry Mode** grants immediate access when activating the Smart Key. Pressing and holding the '6' key then "PROGRAM" button together for 3 seconds will allow you to toggle through each mode from the keypad. You may also alternate modes in the Vaultek® Wi-Fi® app or Web Dashboard.

Toggle DMT Sensitivity

Press and hold '7' then
"PROGRAM" button

Your Vaultek® safe has a built-in accelerometer and corresponding alarm that alerts of any attacking to your safe including bumps and impacts, DMT (**Impact Detection**). DMT is enabled by default and its sensitivity has three settings; Low, Medium, and High. You can toggle through these settings by pressing and holding the '7' key then "PROGRAM" button together for 3 seconds. The screen will indicate LOW, MEDIUM, and HIGH as well as DISABLED.

Toggle Dual Entry Mode

Press and hold '8' then
"PROGRAM" button

To toggle the Dual Entry ON/OFF press and hold the '8' key then "PROGRAM" button together for 3 seconds. The screen will indicate ENABLED or DISABLED. If the Dual Entry is toggled ON, you will be required to enter your master code and fingerprint (and vice versa) to open the safe. This mode requires that at least one fingerprint be programmed into the safe.

Factory Reset

Press and hold '2' and '7'
then "PROGRAM" button

Press keys '2' and '7' and PROGRAM together for 3 seconds. **IMPORTANT** The Factory Reset erases ALL programmed information and restores the safe to its default settings. This includes any network configurations and enrolled fingerprints. The master code is reset to 1-2-3-4 and the safe will restart. The safe must be configured again to work with the Vaultek® Wi-Fi® smartphone app and the Web Dashboard.

Securing Your Safe

Your Vaulttek® safe can be secured via the included mounting screws to a flat surface, such as a closet wall, using the pre-drilled holes on the backside of the safe or the floor using the pre-drilled holes on the bottom. The backside holes are in line vertically, allowing the safe to be anchored to a single wall stud.

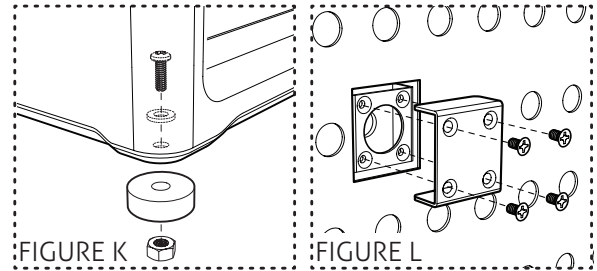
Floor Mounting (Figure K)

With two people, carefully tilt the safe on its side and open the safe door. Lift the interior pad to locate the foot hardware and remove all (4) feet to use the pre-drilled holes for mounting.

Wall Mounting (Figure L)

Remove the (3) pre-drilled hole covers using a phillips screwdriver or drill.

TIP: You can use your own hardware specific to your application.

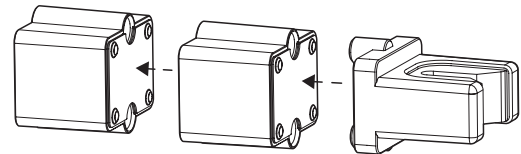


- 1 Locate all pre-drilled holes inside safe for mounting.
- 2 Position safe in place and mark holes for drilling.
- 3 Remove safe and drill pilot holes for hardware.
- 4 Reposition safe and install/tighten hardware.

Modular Interior

The RS500i is equipped with an interior perforated mounting board. The perforated pattern allows you the freedom to position barrel mounts and other accessories anywhere you choose for a customized setup. Each accessory uses magnets to snap into the holes, and accessories can be easily repositioned by firmly pulling off and repositioning as needed.

TIP: Custom rifles/scopes can use the included extension adapters to extend the length of the barrel mounts and prevent your rifle from rubbing the safe. (Figure M)



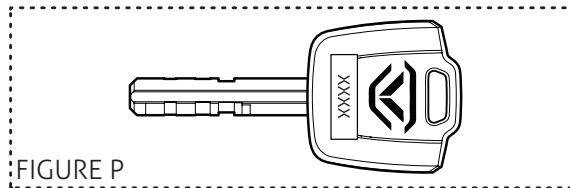
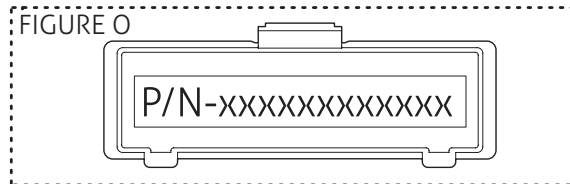
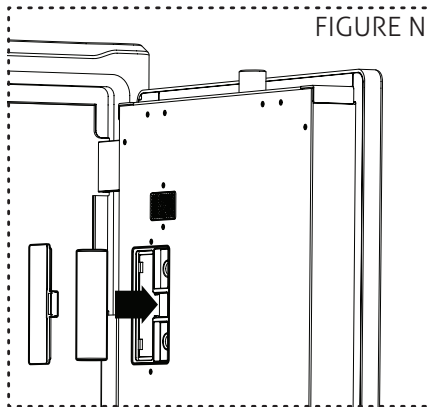
View the full range of available accessories at vaultteksafe.com

FIGURE M

Product Registration

Vaultek® strongly encourages you to register your safe as soon as you receive it. Registration provides many benefits including technical support and ordering replacement keys should you misplace them. Your Vaultek® safe has a unique product number on the inside of the battery door and a 4-digit ID number engraved on the keys. You will need these numbers to register your safe.

- 1 Locate your product number. It is printed on the first page of this user manual and on the back of the battery door (Figure N/O).
- 2 Find your 4-digit ID number engraved on the keys (Figure P).
- 3 Please visit the Vaultek® website at vaulteksafe.com and click Support/Product Registration.
- 4 Enter the required information in the form and click submit.



TUTORIALS ONLINE AT VAULTEKSAFE.COM/RSWIFISERIES-SUPPORT

Battery

Q: Can I keep the safe plugged in at all times?

A: Leaving your safe plugged in continually will **not** harm the safe or battery.

Q: What happens to the fingerprints that are stored in my Vaultek® safe when the battery dies?

A: The safe retains all fingerprints in the even of battery failure. Once the power is restored by inserting the AC adapter cable, the unit will function as it did before the power loss.

Q: What type of battery does my Vaultek® safe use?

A: Use a 3.6V 18650 rechargeable lithium-ion battery with a flat top. A minimum 2000 mAh capacity is required, however 2200 mAh or higher can be used to increase operation time. This type battery is commonly available and in the event you do not seek Vaultek® for a replacement we recommend a brand name like Panasonic.

Q: Can I use a battery of more than 2000 mAh?

A: Yes, a minimum 2000mAh capacity is required, however 2200 mAh or higher can be used to increase operation time. An upgrade battery is available through Vaultek® at vaulteksafe.com.

Fingerprint Scanner

Q: How do I improve fingerprint success rate?

A: Refer to page 09 for tips.

Q: If I cut my finger, does the fingerprint heal the same as before and will it open my safe?

A: Usually yes, although if the cut is significant or requires stitches scar tissue may form as a result causing a change in your fingerprint. That is why we recommend enrolling additional user fingerprints and also fingerprints from your other hand.

Q: Will my Vaultek® safe scan my finger correctly when my finger/fingerprint is wrinkled after bathing or swimming?

A: The Vaultek® safe has been designed to be very sensitive when authenticating and matching fingerprints. The unit will open when your fingerprint has increased moisture from an average shower or swim. However, extreme water retention due to extended time in the water will cause aspects of your fingerprint to change for a short period. If this happens, fingerprint access to your safe may be denied until your fingerprint returns to its normal condition. The keypad and app will not be affected and will still function normally to open the safe.

Keys

Q: What happens if I lose the keys?

A: First, make sure you registered your safe in the event you do lose your keys. Visit Support at vaulteksafe.com for assistance in replacing a set of keys. Be prepared to provide your order details and product number.

Models

Q: What other models are available?

A: Refer to our website to see all the available models. Also, feel free to sign up for our newsletter to receive the latest news on all things Vaultek®.

Wi-Fi®

Q: How to setup up Wi-Fi®?

A: Visit www.vaulteksafe.com/rswifiseries-support/ for complete setup instructions and tutorial videos.

TUTORIALS ONLINE AT VAULTEKSAFE.COM/RSWIFISERIES-SUPPORT

If you experience any issues with your safe, try the following solutions.

Smart Key is not working.

A: After pairing you need to assign an entry mode. Refer to Step 3 on page 13. After Smart Key is paired you need to assign to either On Demand or Progressive entry mode, otherwise Smart Key will disable after pairing.

Fingerprint scanner works sometimes and not others.

A: We have a few suggestions to help improve the success rate on page 09.

The keypad is not responding

A: Remove the battery and reinstall. This is a soft reset for the safe. See if you are able to open the safe using the keypad or reprogram the safe's master code. If you are still experiencing issues please visit Support at vaulteksafe.com for assistance.

Door is not engaging.

A: The door requires a firm press. Press the door closed all the way, allowing the door bolts to fully engage.

Sound is not working.

A: To toggle the sound ON/OFF press and hold keys '1' and '3' together for 3 seconds. The LCD screen will indicate the sound is ON and beep or the screen will indicate OFF and not beep. If the sound is toggled on and you still can't hear it, have someone else in your house listen as the sound is high pitched.

Unable to change master code.

A: Refer to page 08 of the user manual or check our tutorials online at vaulteksafe.com/rswifiseries-support.

Soft Reset: Remove the battery and reinstall. This is a soft reset to the safe. Refer to page 07 for more details.

STOP! Do not return to retailer. If you have any questions about your Vaultek® safe or need help configuring the system, please visit Support at vaulteksafe.com.

Customer Support / Warranty

Customer Support

If you have a problem with your Vaultek® safe that is not answered in the FAQ section of this manual, we encourage you to visit www.vaulteksafe.com/rswifiseries-support.

Limited Warranty (Terms and Conditions)

Vaultek® is committed to building high quality products and will make every effort to ensure our products are free from any defects. We guarantee your safe will be free of defects in materials or workmanship for a period of three years from the date of original purchase from an authorized dealer. This warranty does not cover abuse, misuse, use in any manner for which is not designed, neglect, modification, damage inadvertently caused by the owner, accidents, and/or tampering.

If you encounter a problem with your Vaultek® safe, contact our support team online at vaulteksafe.com/support for assistance. If your safe is determined to be defective and we are responsible for the cause we will have it repaired at our expense, or we will send a new replacement at no cost to you. You will be required to return your existing unit as well as all included accessories to Vaultek® prior to replacement of the defective unit along with your verification of purchase.

If it is determined your safe needs to be returned our customer support team will provide you with a Return Merchandise Authorization (RMA) number. Please have the following information available when contacting us:

- Purchaser's name and mailing address, email address, and phone number.
- Copy of receipt or online order number (if purchased directly from us or Amazon)
- Authorized dealer name (if applicable)
- Detailed description of problem

NEITHER SELLER NOR MANUFACTURER SHALL BE LIABLE FOR ANY INJURY, LOSS OR DAMAGE, DIRECT OR CONSEQUENTIAL, ARISING OUT OF THE USE OF, OR THE INABILITY TO USE THE VAULTEK® SAFE.

This device has been evaluated to meet general RF exposure requirement, and this device can be used in portable exposure condition without restriction.

FCC statements:

This device complies with part 15 of the FCC rules. Operation is subject to the following two conditions: (1) this device may not cause harmful interference, and (2) this device must accept any interference received, including interference that may cause undesired operation.

NOTE: The manufacturer is not responsible for any radio or TV interference caused by unauthorized modifications or changes to this equipment. Such modifications or changes could void the user's authority to operate the equipment.

NOTE: This equipment has been tested and found to comply with the limits for a Class B digital device, pursuant to part 15 of the FCC Rules. These limits are designed to provide reasonable protection against harmful interference in a residential installation. This equipment generates uses and can radiate radio frequency energy and, if not installed and used in accordance with the instructions, may cause harmful interference to radio communications. However, there is no guarantee that interference will not occur in a particular installation. If this equipment does cause harmful interference to radio or television reception, which can be determined by turning the equipment off and on, the user is encouraged to try to correct the interference by one or more of the following measures:

- Reorient or relocate the receiving antenna.
- Increase the separation between the equipment and receiver.
- Connect the equipment into an outlet on a circuit different from that to which the receiver is connected.
- Consult the dealer or an experienced radio/TV technician for help.



VAULTEK®

37 North Orange Ave. Suite 800B Orlando, FL 32801

VAULTEKSAFE.COM