



SL-VMU

SLIDER CAR MOUNT

USER GUIDE

SETUP

WWW.VAULTEKSAFE.COM/SLIDERCARMOUNT-SUPPORT

Thank You For Your Recent Purchase!

At Vaultek® we stand behind our product and you our customer. On behalf of the entire team thank you for your purchase.

STAY SAFE. VAULTEK® SAFE.

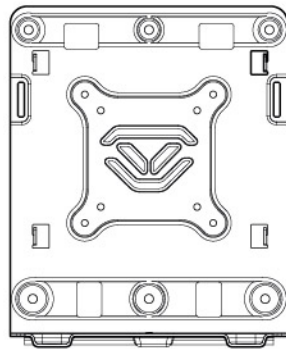
PRODUCT OVERVIEW

The Vaultek SL-VMU is a universal mounting kit designed to install your Slider Series safe in your vehicle. It offers the most universal fitment available and adapts to a variety of interior seats. When properly installed the kit conceals your safe while still providing quick access.

As a safety precaution, we recommend consulting with your certified auto technician before installing. Check to make sure the strap placement around your seat does not interfere with the seatbelt functions. SL-VMU is designed to wrap snugly around your seat, without impeding any of the seat's normal functions.

VEHICLE PLACEMENT	01
STEP 1 Wrap Strap Around Seat	02
STEP 2 Anchor Security Cable to Vehicle	03
STEP 3 Attach Security Cable to Mounting Plate	04
STEP 4 Install Safe onto Mounting Plate	05

CONTENTS



1x Mounting Plate



1x
HD Security Cable
with Security Nut



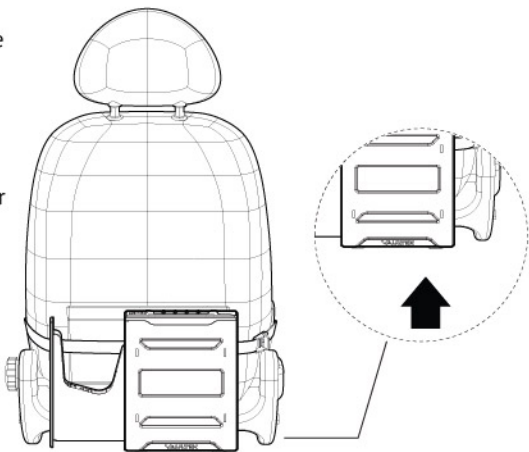
1x
Strap Webbing
with Cam Buckle



2x
Strap Ties

VEHICLE PLACEMENT

We recommend installing the vehicle mount on the backside of the passenger seat. You can adjust to suit your personal preferences, but we've found this position to offer quick access to your safe by simply reaching behind the passenger seat while in the driver's position.

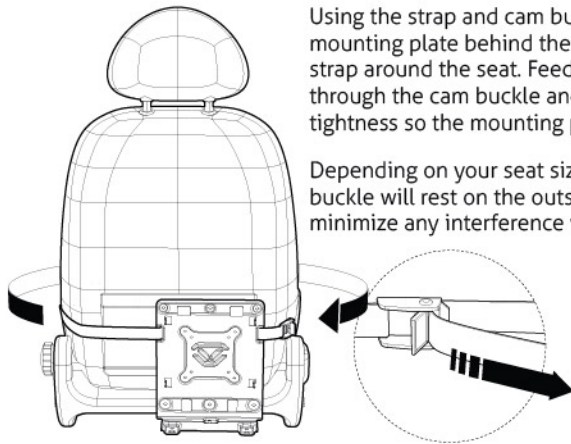


01 Vaultek®

STEP 1: WRAP STRAP AROUND SEAT

Using the strap and cam buckle provided, position the mounting plate behind the passenger seat, and wrap the strap around the seat. Feed the loose end of the strap through the cam buckle and pull to a comfortable tightness so the mounting plate is not loose.

Depending on your seat size and configuration, the cam buckle will rest on the outside of the seat. This will minimize any interference with seating functions.



TIP! Use the Strap Ties provided to help organize excess strapping outside the cam buckle.



02 Vaultek®

STEP 2: ANCHOR SECURITY CABLE TO VEHICLE

The included security cable secures the safe to your vehicle to help deter theft and help prevent common smash and grabs. It can wrap around any of the vehicle's bracketry under the seat or loop around a fixed object of your choice.

Using the collared end of the security cable (Figure A) wrap the cable around a fixed object or seat bracket and feed the collared end through the looped end of the cable to anchor in place (Figure B).

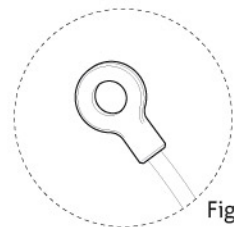


Figure A

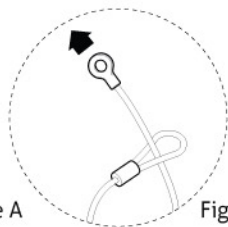


Figure B

03 Vaultek®

STEP 3: ATTACH SECURITY CABLE TO MOUNTING PLATE

After the security cable is anchored to your vehicle and looped around a fixed object, attach the security cable to the safe's mounting plate.

Press the loose collared end of the cable into the mounting plate bottom. A threaded insert on the mounting plate goes through the open hole of the collar. (Figure C)

Use the provided security nut to tighten the cable onto the mounting plate and secure in place. (Figure D)

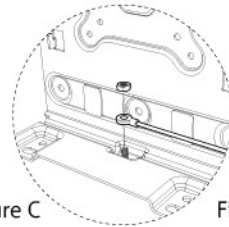


Figure C

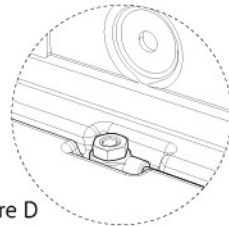
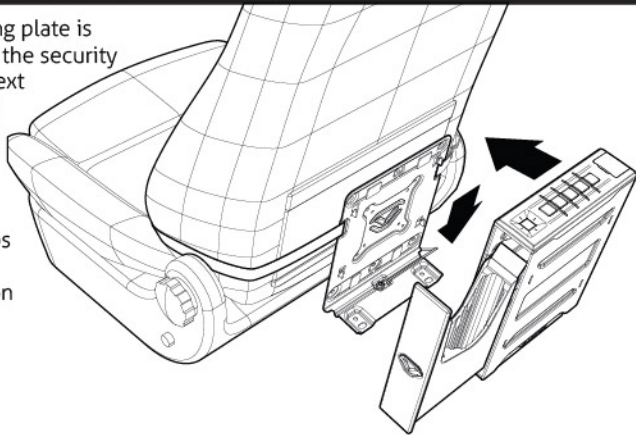


Figure D

04 Vaultek®

STEP 4: INSTALL SAFE ONTO MOUNTING PLATE

Now that the mounting plate is securely in place and the security cable attached, the next step is installing your safe on the mounting plate just as you normally would. Open the safe and match the locking tabs on the plate with the corresponding slots on the safe.





VAULTEK®

37 N Orange Ave | Orlando, FL 32801 | USA

VAULTEKSAFE.COM

REV 053119