



# VT SERIES

NVTi | NVT INSTRUCTION MANUAL

**QUICK SETUP!**

**SCAN CODE**

\*USE PHONE CAMERA



or visit [www.vaulteksafe.com/support/vt-series/](http://www.vaulteksafe.com/support/vt-series/)

## Thank You

At Vaultek® we stand behind our product and you our customer. On behalf of the entire team thank you for your purchase. We believe personal defense should be handled seriously and we're excited for you to experience the ultimate performance in smart-security.

This safe has been granted two United States Patents. An exterior design patent as well as a patent for Vaultek's signature two point latch system. US Patent Numbers: US D817,589 S | US 10,253,529

**Access Quick Setup, Tutorials, and Troubleshooting** online using the code on the right. Simply scan the code with your phone's camera or visit [www.vaulteksafe.com/support/vt-series/](http://www.vaulteksafe.com/support/vt-series/) and select your model.

Need help? Please email our support team at [support@vaulteksafe.com](mailto:support@vaulteksafe.com).

Stop! Do not return to retailer. If you have any questions about your Vaultek® safe or need help configuring the system, please visit [www.vaulteksafe.com/support/vt-series/](http://www.vaulteksafe.com/support/vt-series/).

**Vaultek® Customer Support: [support@vaulteksafe.com](mailto:support@vaulteksafe.com)**



**Register your product** online using the code on the right. Simply scan the code with your phone's camera or visit [www.vaulteksafe.com](http://www.vaulteksafe.com), click Support, then Product Registration. Enter the required information in the form and click submit.

Registration provides many benefits including three year warranty, technical support, and ordering replacement keys should you misplace them.



## Table of Contents

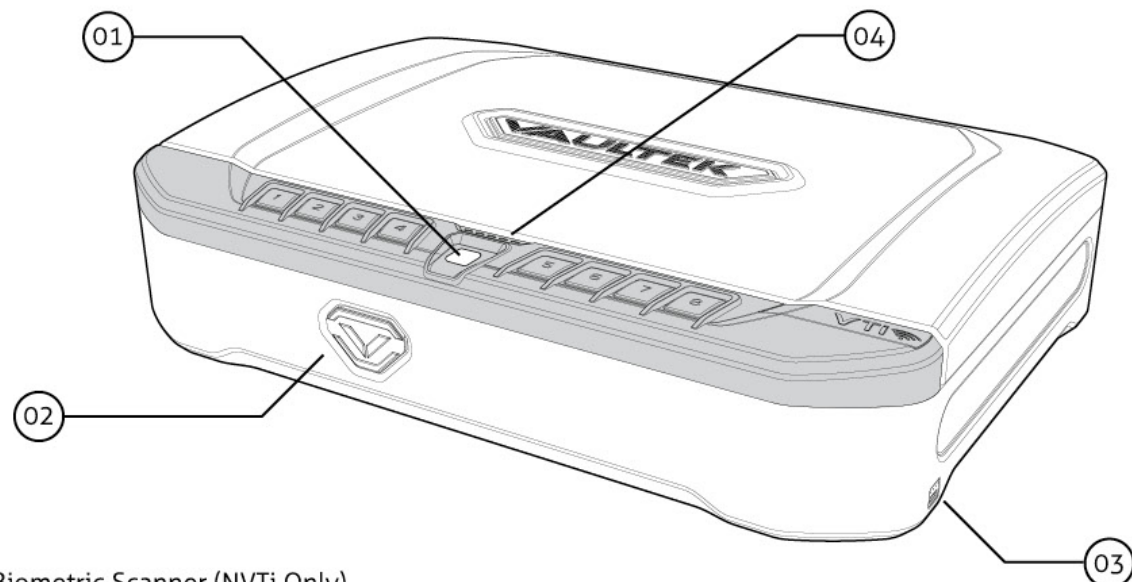
Get to Know Your Vaultek® Safe .....	01 / 02
Basic Operation.....	03
- Unlocking.....	03
- How your Vaultek® Safe Keeps People Out .....	03
Warnings.....	04
Battery.....	05 / 07
- Installation .....	05
- Charging the Battery.....	06
Master Code Programming .....	08
Biometric Scanner (Biometric Model Only) .....	09 / 12
- Programming Admin Prints 1 and 2.....	10
- Programming Additional Prints 3-20.....	11
- Deleting Fingerprints.....	12
Vaultek® Wi-Fi Setup .....	12
Nano Key.....	13 / 16
- Pairing.....	13
- Entry Modes.....	14
- Unpairing.....	14
Hot Keys.....	16 / 18
- Tamper Detection .....	16
- Sound.....	16
- Battery Status.....	17

- Travel Mode .....	17
- Interior Light .....	17
- Open Door Alarm.....	17
- Impact Detection (DMT) .....	17
- Alert of Manual Unlock.....	18
- Nano Key Entry Modes.....	18
- Delete Fingerprints (Biometric Model Only).....	18
- Dual Entry Mode (Biometric Model Only) .....	18
- Factory Reset.....	18
Securing Your Safe .....	19
- Using the Security Cable .....	19
- Using the Mounting Hardware .....	19
Product Registration .....	20
FAQ .....	21 / 22
Troubleshooting .....	23
<b>Customer Support</b> / Limited Warranty.....	24

For setup, tutorials, and FAQs visit [www.vaulteksafe.com/support/vt-series/](http://www.vaulteksafe.com/support/vt-series/)

## Get to Know Your Vaultek® Safe

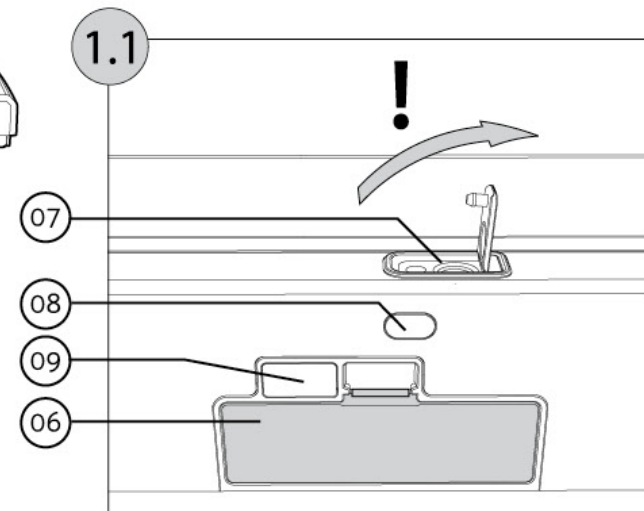
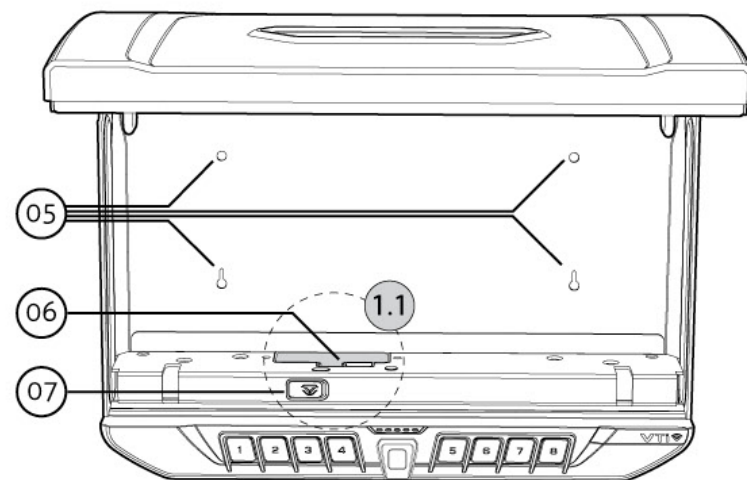
The Vaultek® NVTi/NVT is a tough and rugged, quick access, Wi-Fi® enabled smart safe. Its solid structure and penetration resistant design makes it ideal for storing valuables such as firearms, jewelry, cash, and other personal items. Powered by a rechargeable lithium-ion battery, the safe combines high security with complete access control.



- 01. Biometric Scanner (NVTi Only)
- 02. Silicone Keyhole Cover
- 03. Micro-USB Charging Port
- 04. LED Status Bar
- 05. Pre-Drilled Holes

- 06. Battery Compartment Door
- 07. PROGRAM Button (Located Beneath Protective Cover)
- 08. LED Light Button
- 09. LED Light

For setup, tutorials, and FAQs visit [www.vaulteksafe.com/support/vt-series/](http://www.vaulteksafe.com/support/vt-series/)



## Box Contents

- Vaultek® Safe
- Nano Key
- 18650 Rechargeable Lithium-ion Battery
- AC Power Adapter and Charging Cable

- High Strength Steel Security Cable
- Hardware Mounting Kit
- Owner's Manual / Quick Start Guide
- Backup Keys (2)

For setup, tutorials, and FAQs visit [www.vaulteksafe.com/support/vt-series/](http://www.vaulteksafe.com/support/vt-series/)

## Basic Operation: Unlocking

**Keypad:** The numeric keypad responds quickly for rapid access and has a built-in proximity sensor that lights up when your hand brushes against the safe. See page 08 for more information.

**Nano Key:** Remote for On Demand access. See page 13 and 16 for more information.

**Key:** Two keys are provided for manual access to the safe in the event the battery dies.

**Biometric Scanner (Biometric Model Only):** Personalized access for up to 20 unique fingerprints. See pages 09 to 12 for more information.

## Basic Operation: How your Vaultek® Safe Keeps People Out

**Anti-Impact Latches:** Built to withstand forceful impacts and heavy slams.

**No External Access Points:** A combination of interior mounted hinges and extended anti-pry reinforcement bars help prevent unwanted tools from attempting to break the safe open.

**Security Sleep Mode:** Activates when six (6) consecutive incorrect keypad entries are entered or (6) incorrect fingerprint scans are made. The safe will not accept any entries for four minutes. If any additional attempts are made the alarm will beep. Security sleep mode can be cleared upon unlock of the safe by any authorized access method including the backup keys.

**Impact Detection (DMT):** Motion activated alarm can be disabled or enabled with three levels of sensitivity (Low, Medium, and High) using the Vaultek® app or hot key functions. See page 17 for information.

**Alert Notifications:** Wi-Fi® connectivity allows you to receive alerts such as push notifications and text alerts during critical safe activity. This includes battery levels, impacts, extreme temperatures, tampering, and anytime the safe is opened.

For setup, tutorials, and FAQs visit [www.vaulteksafe.com/support/vt-series/](http://www.vaulteksafe.com/support/vt-series/)

## Warnings

To prevent damage to your Vaultek® unit or injury to yourself or to others, read the following safety precautions before using this unit.

**DO NOT** PLACE OR STORE THE BACKUP KEYS INSIDE THE SAFE AT ANY TIME. IF THE BATTERY FAILS, YOU WILL BE UNABLE TO OPEN THE SAFE.

**DO NOT** expose to extreme heat or cold. Battery power may be affected.

**DO NOT** store loaded guns in this unit. Firearms are serious in nature and must be handled with respect. Store responsibly.

**DO NOT** get fingerprint sensor wet.

**ALWAYS** check to make sure door has latched when closing; door requires a firm press and locks automatically.

Be sure and follow all local and state firearm laws.

**DO NOT** operate a firearm without proper training and experience.

### Disclaimers:

NEITHER SELLER NOR MANUFACTURER SHALL BE LIABLE FOR UNAUTHORIZED ACCESS, ANY INJURY, LOSS OR DAMAGE TO PERSONAL PROPERTY DIRECT OR CONSEQUENTIAL, ARISING OUT OF THE USE OF, OR THE INABILITY TO USE THE VAULTEK® SAFE.

THE USER SHALL DETERMINE THE SUITABILITY OF THE VAULTEK® SAFE BEFORE THE INTENDED USE AND USER ASSUMES ALL RISK AND LIABILITY WHATSOEVER IN CONNECTION THEREWITH. VAULTEK® SAFES ARE NOT INTENDED TO PROTECT AGAINST ENVIRONMENTAL HAZARDS INCLUDING FIRE AND WATER.

Be sure and follow all local and state firearm laws.

**DO NOT** operate a firearm without proper training and experience.

**Check page 14 and 16 for Nano Key warnings.**

Wi-Fi® is a registered trademark of Wi-Fi Alliance®.

## Battery: Installation

Your safe uses a 3.7V 18650 rechargeable lithium-ion with a flat top. A minimum 2000 mAh capacity is required, however 2200 mAh or higher can be used to increase operation time.

- 1 To get started, insert one of your backup keys into the keyhole at the front of the safe (see Figure A). Push key in and rotate key clockwise to open the safe.
- 2 Remove the interior padding. Locate the battery compartment door on the inside of the safe directly behind the '4' key on the keypad (see Figure B).
- 3 Remove the battery cover by pressing down on the tab near the top of the cover.

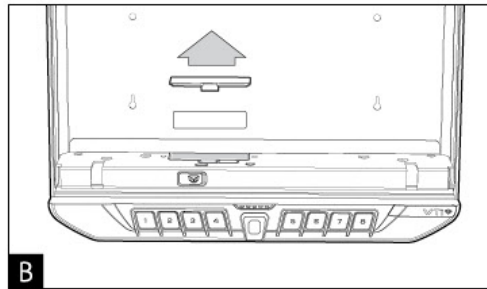
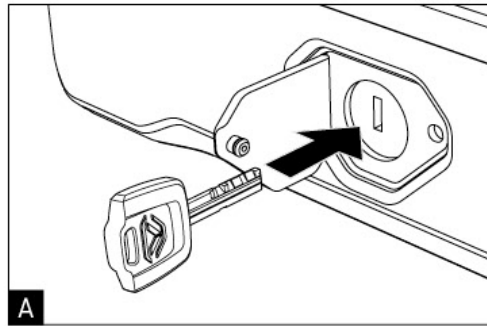
**Tip!** Before inserting the battery make sure to place the pull string over the battery before closing the door for easy removal.

- 4 Insert the battery (included in accessory box) into the battery compartment. Note that your Vaultek® safe automatically detects the polarity of the battery and can be installed in either direction.
- 5 When the battery is inserted you will hear a short welcome tone and the keypad will light up. Once you hear the tone and see the keypad light up, replace the battery cover. You are now ready to program your safe.

**IMPORTANT!** Your Vaultek® safe will automatically lock when you fully close the lid.

**IMPORTANT!** First time users should change the default code immediately after installing the battery to prevent unauthorized access to your safe.

**Tip!** Register your safe online. This is important in the event you lose your keys. See page 20.



## Battery: Maintenance

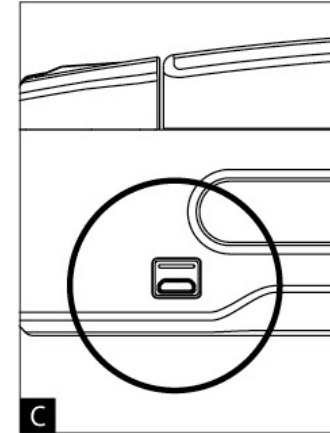
Your Vaultek® safe is powered by a rechargeable lithium-ion battery and comes with a charging kit which includes an AC power adapter and a micro-USB cable. Safe and micro-USB cable can be used with all international power adapters. Under normal usage, a fully charged battery can last about 3 months.

### Battery Maintenance: Charging the Battery

- 1 **To recharge the safe**, plug the micro-USB cable into the micro-USB receiving jack located on the right side of the safe (Figure C) and connect to a standard USB port or wall outlet using the AC power adapter. Approximate recharge time is 2.5 hours.
- 2 The LED on the side of the safe (Figure C) will glow RED indicating charging or GREEN indicating that charging is complete.

### Battery Maintenance: Charging Tips!

- After installing the battery, use the charging kit provided to charge the unit 100%.
  - The charging kit can also function as an external power supply, which means you can open your safe even when the battery is depleted.
  - Leaving your safe plugged in continually will **not** harm the safe or battery. However, to preserve battery life we suggest that you unplug occasionally to allow the battery to cycle down.
  - A specially designed Vaultek® powerpack is available as a separate accessory to extend operation time.
  - The adapter used to charge the battery should output 5V/2000mA or above when using micro-USB cable.
- See the next page for additional information about the battery.



## Battery: Maintenance

### Battery Maintenance: Testing the Power

To check the battery level, press and hold the '6' and '8' key together on the keypad for 3 seconds. The status bar from left to right will glow GREEN or RED to indicate the battery level:

#### Remaining Battery Capacity Level

If 5 LEDs glow green: 80%-100%

If 4 LEDs glow green: 60%-80%

If 3 LEDs glow green: 40%-60%

If 2 LEDs glow green: 20%-40%

If 1 LED glows red: 10%-20%

If 1 LED blinks red: less than 10%

### Battery Maintenance: Low Battery

If the first LED on the status bar blinks RED several times and you hear several rapid beeps when opening the safe, your battery level is critically low and your safe needs to be charged immediately.

### Battery Maintenance: Soft Reset Tip!

In the event the battery dies or a soft reset is performed (battery removal and installation) the safe will restore default settings for DMT, interior light, sound, Nano Key, and Alert of Manual Unlock feature. These settings will need to be readjusted, however the master code and fingerprint scanner (NVTi Only) will not be affected.

**IMPORTANT!** Use a 3.7V 18650 rechargeable lithium-ion battery with a flat top. A minimum 2000 mAh capacity is required, however 2200 mAh or higher can be used to increase operation time.

**IMPORTANT!** The adapter used to charge the battery should output 5V/2000mA or above when using micro-USB cable.

For setup, tutorials, and FAQs visit [www.vaulteksafe.com/support/vt-series/](http://www.vaulteksafe.com/support/vt-series/)

## Master Code Programming

First time users should change the default code as soon as possible to prevent unauthorized access to your safe.

### Code Requirement Tips!

- Your code can be a minimum of 4 and a maximum of 8 digits. We recommend a code 6 to 8 digits in length using at least one of each key to make it more difficult for someone to guess your code. For your security, the safe will time out and sleep for 4 minutes if 6 incorrect entries are made.
- Two keys cannot be pressed simultaneously.
- Programming a new code will overwrite your previous code.
- Default master code is 1-2-3-4 on the keypad.

**1** Open the safe. With the safe open, lift the protective "PROGRAM" cover (Figure D.1). Press and hold the '1' key then the "PROGRAM" button together (3 seconds) (see Figure D.1) until all status bar LEDs turn RED and let go.

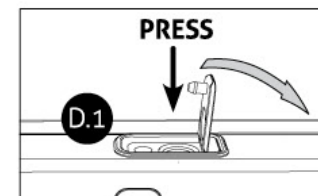
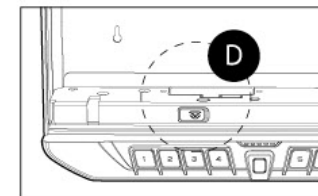
**2** Enter your NEW master code.

**3 IMMEDIATELY** Press and hold the '1' key then the "PROGRAM" button together a second time (3 seconds) until all status bar LEDs turn RED and let go.

**4** Enter your NEW master code a second time.

**5 IMMEDIATELY** Press and hold the '1' key then the "PROGRAM" button together a third time (3 seconds) until the safe beeps and all status bar LEDs turn GREEN and let go. This tone confirms that the code has been reset.

**Troubleshooting!** If you make a mistake and the new code will not work, simply start over with step 1.



For setup, tutorials, and FAQs visit [www.vaulteksafe.com/support/vt-series/](http://www.vaulteksafe.com/support/vt-series/)

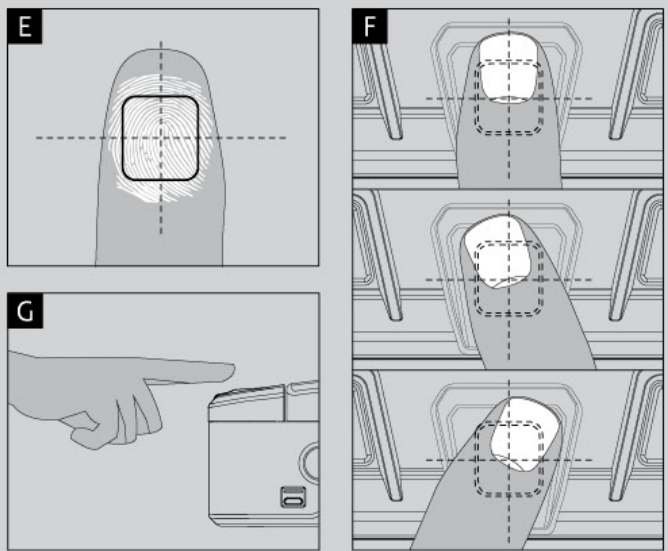
## Biometric Scanner: Overview + Tips! (Biometric Model Only)

Biometrics are methods of authenticating the identity of a person based on physical or behavioral characteristics. Biometric fingerprint authentication refers to technology that measures and analyzes human physical characteristics for identification and authentication purposes.

Everyone has their own unique fingerprints, and what makes them unique is the pattern of ridges, valleys, and minutiae points that comprise an individual print. Vaultek® and their leading engineering group has developed proprietary technology to read and match fingerprints with unmatched speed and accuracy. That means that only authorized users have access to your valuables. The safe is capable of storing fingerprint data for up to 20 unique authorized users. A user consists of 5 scans of the same finger during registration. Once a user's fingerprint data is stored in the safe and encrypted, it cannot be copied or stolen.

### Helpful Programming Tips!

- **Place the core of the fingerprint flat** (Figure E+F) over the center of the scanner (this allows the scanner to read where most of the fingerprint detail is located) see (Figure E).
- Adjust your finger slightly between scans for increased accuracy (see Figure F).
- Excessive moisture, lotions, or dirt will affect your fingerprint and may cause inaccurate sensor reading.
- **Troubleshooting!** If you are having difficulty with your print, program the same finger 4 or 5 times. You have 20 slots available for programming and you can also try your thumb as it has more surface area to read.



## Biometric Scanner: Programming Admin Prints 1 and 2

**The 1st and 2nd fingerprints** will be recognized as administrative fingerprints and will be used to authorize additional users. To program additional users refer to the next page.

**Tip!** The first two enrolled fingerprints are admin prints, and are required to authorize enrolling additional users (3-20).

**Tip!** Each fingerprint requires 5 registration scans to be enrolled into the safe.

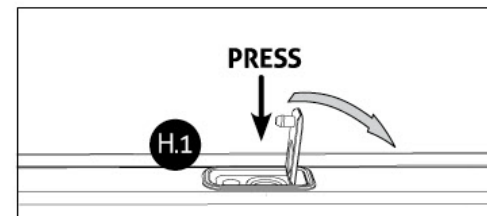
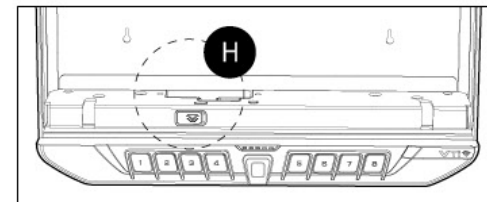
- 1 Open the safe. Program 1st fingerprint by pressing and holding the '2' key then the "PROGRAM" button together (3 seconds) (Figure H and H.1) until the first LED on the status bar located above the fingerprint sensor blinks RED.

**Tip!** If the entire status bar is blinking RED then refer to programming fingerprints 3-20 on next page.

- 2 Place your finger on the fingerprint scanner for the 1st of five scans. When the safe beeps and the first status bar LED lights up GREEN remove your finger.
- 3 Place finger again over the scanner until the safe beeps and the second status LED lights up GREEN and lift. You will repeat this process until all status bar LEDs (1-5) are solid GREEN.
- 4 Close lid and test to see if the safe will open using your fingerprint.

**Tip!** Repeat steps 1 through 4 to add the 2nd administrative fingerprint. To program prints (3-20) refer to page 11.

**Troubleshooting!** If you experience issues refer to the helpful programming tips listed on page 09 or view our tutorials online at [vaulteksafe.com/support/vt-series/](http://vaulteksafe.com/support/vt-series/).





## Biometric Scanner: Programming Additional Prints 3 to 20

The first two fingerprints programmed into the safe are the administrative fingerprints. Any additional users programmed require authorization from one of these fingerprints.

- 1 Open the safe. Program additional fingerprints by pressing and holding the '2' key then "PROGRAM" button together (3 seconds) (Figure H and H.1 on page 10). The entire status bar will blink RED prompting you to scan one of the administrative fingerprints.
- 2 Place one of the first two programmed administrative fingerprints on the scanner and remove when the safe beeps and the entire status bar blinks GREEN. When the first LED on the status bar starts blinking RED you can enroll a NEW fingerprint.

**Tip!** If the administrative print is left on the scanner too long the safe will begin to program that fingerprint into the safe again and not the NEW fingerprint. If this happens start over with step one.

- 3 Using the helpful programming tips provided on page 09 place the NEW finger on the scanner. When the safe beeps and the first LED in the status bar lights up GREEN remove your finger.
- 4 Place finger again over the scanner until the safe beeps and the second status LED lights up GREEN and lift. You will repeat this process until all status bar LEDs (1-5) are solid GREEN.

**Tip!** Repeat steps 1-4 to continue adding additional prints.

**Troubleshooting!** If you are having difficulty with your print, program the same fingerprint 4 or 5 times. You have 20 slots available for programming and you can also try your thumb as it has more surface area to read.

Continue on next page to learn how to delete fingerprints.

For setup, tutorials, and FAQs visit [www.vaulteksafe.com/support/vt-series/](http://www.vaulteksafe.com/support/vt-series/)

## Biometric Scanner: Deleting Fingerprints

Individual fingerprints can not be deleted from the keypad on the safe. Following this procedure will erase all of the fingerprints including both administrative fingerprints. If you wish to delete individual fingerprints, refer to the Vaultek® Wi-Fi® app. This procedure will not affect the keypad master code.

- 1 Press and hold the '3' key then the "PROGRAM" button together until **all** the status bar LEDs light up RED and let go.
- 2 Enter your master code on the keypad. If the code is correct, all the status bar LEDs will blink GREEN and safe will beep indicating deletion of **all** the fingerprints.

## Vaultek® Wi-Fi® Setup

Access online setup using the code on the right. Simply scan the code with your phone's camera or visit [www.vaulteksafe.com/support/vt-series/](http://www.vaulteksafe.com/support/vt-series/) and select your model.

**Tip!** We suggest connecting your safe directly to the router using the Vaultek® WiFi app or with the router's WPS button. Once connected, view your safe's online dashboard at [dashboard.vaulteksafe.com](http://dashboard.vaulteksafe.com).

If you have any questions about your Vaultek® safe or need help configuring the system, please visit [www.vaulteksafe.com/support/vt-series/](http://www.vaulteksafe.com/support/vt-series/) and or email our support team at [support@vaulteksafe.com](mailto:support@vaulteksafe.com).



For setup, tutorials, and FAQs visit [www.vaulteksafe.com/support/vt-series/](http://www.vaulteksafe.com/support/vt-series/)

## Nano Key

Your Vaultek® safe supports quick access with the included Nano Key. **Take caution when using this feature and be responsible. Security can be compromised in the event it is lost or stolen. Only pair Nano Key after thoroughly understanding the inherent risks.** Refer to page 16 for Nano Key warnings.

**IMPORTANT!** Before you can pair the Nano Key to your safe connect the pre-installed battery by removing the pull tab from the side of Nano Key (Figure I).

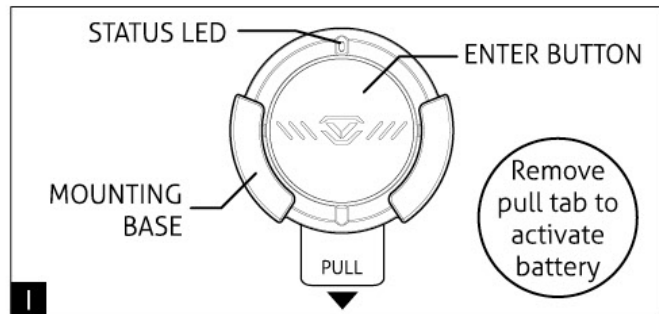
**IMPORTANT!** Nano Key should be mounted less than 6 feet away from safe for proper operation. Use in long range is not recommended as it may cause accidental opens.

### Nano Key: Pairing (Three Steps)

**IMPORTANT!** Be sure to follow **ALL** steps 1 to 3 for proper function:

- 1 Press and hold the '5' key then "PROGRAM" button together (3 seconds) until all status bar LEDs blink RED.
- 2 Aim Nano Key towards the safe and press. If all the lights on the status bar glow GREEN and safe beeps, the Nano Key is paired successfully; if all lights on the status bar blink RED, the Nano Key failed to pair. In this case, simply start over with step 1.
- 3 **Set Nano Entry Mode:** After pairing, Nano Key will be immediately active to test functionality, but then deactivate. Nano Key settings will need to be set to either On Demand or Progressive in order for Nano Key to open your safe. See next page for more information.

**Troubleshooting!** If Nano Key works for a moment then stops working after pairing then you need to start over with step 1. After pairing you must assign an entry mode to finalize the pairing sequence.



Continue on next page for more information about Nano Key.

### Nano Key: Entry Modes

After pairing you can toggle between access modes from the keypad, Wi-Fi® smartphone app, or the online Web Dashboard. To toggle modes from the keypad press and hold the '6' key then "PROGRAM" button together. The status bar will communicate as directed below.

- **OFF**
- **Progressive Entry Mode:** Safe goes into sleep mode and will require you to wake up the safe before using Nano Key. You can wake up the safe by pressing any key or brushing your hand across the keypad of the safe (backlit keys will turn RED).
- **On Demand Entry Mode:** This mode grants immediate access to your safe without having to wake it up.

**Warning!** On Demand entry mode can open a safe in another room and/or out of sight. To reduce risk of an unattended open safe we recommend using Progressive entry mode.

On Demand entry mode requires significant power usage and can greatly reduce operation time. We suggest setting the Nano Key to Progressive entry mode to conserve battery, unless the safe is constantly plugged into a power outlet.

### Nano Key: Unpairing

**Tip!** Disabling the Nano Key function from the Wi-Fi® app, Web Dashboard, or safe's keypad will NOT delete a paired Nano Key from the safe's memory. In the event a Nano Key is lost or stolen, you can delete the lost Nano Key from the safe's memory by using a couple different methods:

- A Press and hold '5' key then "PROGRAM" button together (3 seconds) until all status bar LEDs blink RED. This is the same sequence used when initially pairing. After the status bar LEDs blink RED for 6 seconds the safe will delete a paired Nano Key from memory.
- B Anytime a new Nano Key is paired with the safe, the previous key will be erased from the safe's memory.

For setup, tutorials, and FAQs visit [www.vaulteksafe.com/support/vt-series/](http://www.vaulteksafe.com/support/vt-series/)

## Nano Key

### Nano Key: Open Your Safe

You must be approximately 5-8 feet before pressing the enter button. If you are using PROGRESSIVE ENTRY mode, you will need to awaken the safe first. Simply brush your hand across the keypad to illuminate the keys and then press the enter button on your Nano Key to open your safe.

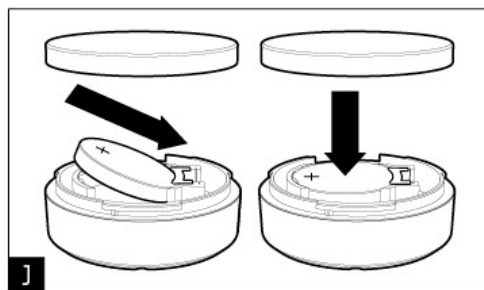
### Nano Key: Multiple Safe Management

- Multiple Nano Keys can not pair with the same safe. It is recommended to pair one Nano Key per safe.
- Recommended setting when using the Nano Key is Progressive entry mode.
- You can manage multiple safes through the Vaultek® Wi-Fi® smartphone app.
- **CAUTION** when managing multiple safes in On Demand entry mode there is a chance you can open all safes within range.

### Nano Key: Battery Replacement

When Nano Key status LED flashes RED (3) times that indicates a low battery. Replace the battery per steps below:

- 1 Twist base of Nano Key counter clockwise to access compartment.
- 2 Remove old battery by firmly lifting up on its sides to release it from its clips. A small screwdriver can help pry the battery out if used carefully.
- 3 Insert a new model CR2032 battery positive side (+) facing up. Insert the battery edge under the brass clip first (Figure J), then press firmly into place (Figure J). Replace the battery cover and twist clockwise to tighten in place. The battery will not install correctly without first being placed under the brass clip. Damage to the remote may occur.



### Nano Key: Mounting

The mounting base comes with double-sided tape allowing for quick and easy installation. Simply peel off the protective layer on the reverse side of the base, and place where desired.

## Nano Key: Warnings

**Take caution when using this feature and be responsible. Security can be compromised in the event Nano Key is lost or stolen. Only pair Nano Key after thoroughly understanding the inherent risks.**

**IMPORTANT** install Nano Key in a secure location out of the hands of children and unauthorized people.

**WARNING** anyone including children can access the safe via Nano Key.

**ALWAYS** unpair the Nano Key in the event it is lost or stolen.

**WARNING** On Demand Entry Mode can open a safe in another room and/or out of sight. To reduce risk of an unattended open safe we recommend using Progressive Entry Mode.

**IMPORTANT** On Demand Entry Mode requires significant power usage and can greatly reduce operation time on a single charge. We suggest keeping the safe in Progressive Entry Mode. If using On Demand Entry Mode try keeping the safe plugged in.

## Hot Keys Continued on next page.

### Tamper Detection

Press and hold '2' and '4'

To check for tampering press and hold keys '2' and '4' together for 3 seconds. The status bar will glow RED to indicate tampering or GREEN to indicate no tampering. You can reset the tamper detection by opening the safe through one of the authorized entry points.

### Sound

Press and hold '1' and '3'

To toggle the sound ON/OFF press and hold keys '1' and '3' together for 3 seconds. If the status bar glows GREEN and beeps, the sound is ON; if the status bar glows RED, the sound is OFF.

### Hot Keys continue on next page.

## Hot Keys

### Battery Status

Press and hold '6' and '8'

To check battery level press and hold keys '6' and '8' together 3 seconds. The status bar will glow GREEN or RED to indicate the battery level. See page 07 for more information.

### Travel Mode

Press and hold '1' and '8'

Save battery life by disabling the proximity sensor, fingerprint sensor, keypad, status bar, Nano Key, Wi-Fi features. To toggle travel mode ON/OFF press and hold keys '1' and '8' together until the safe beeps and the status bar lights up. If the status bar glows RED and beeps, the safe is disabled; if the status bar glows GREEN and beeps, the safe is operational.

### Interior Light

Press and hold '5' and '7'

To toggle the interior light ON/OFF press and hold keys '5' and '7' together for 3 seconds. With the light toggled to ON you can press the "LIGHT" button inside the safe to illuminate the light and can adjust brightness in the Vaultek® Wi-Fi® app. If the light is toggled OFF the light will be disabled.

### Open Door Alarm

Press and hold '3' and '5' then "PROGRAM" together

Your safe features an open door alarm that will sound when the safe door is left open for more than 8 minutes. By default, this alarm is ON. To toggle off press and hold keys '3' and '5' and PROGRAM together for 3 seconds. The status bar will glow GREEN to indicate ON and RED to indicate OFF.

### Impact Detection (DMT)

Press and hold '7' then "PROGRAM" together

Your Vaultek® safe has a built-in accelerometer and corresponding alarm that alerts of any attacking to your safe including bumps and impacts, DMT (Impact Detection). DMT is enabled by default and its sensitivity has three settings; Low, Medium, and High. You can toggle through these settings by pressing and holding the '7' key then "PROGRAM" button together for 3 seconds. If all FIVE lights on the status bar glow solid GREEN, the High setting is enabled; If FOUR lights on the status bar glow solid GREEN, the Medium setting is enabled; if THREE lights on the status bar glow GREEN, the Low setting is enabled; if all lights on the status bar glow RED, DMT is disabled (OFF).

### Alert of Manual Unlock

Press and hold '3' '6' then "PROGRAM" together

If the Alert of Unlock is on, and someone opens the safe with either the key or by picking the lock, the keypad will start flashing. To toggle Alert Unlock press and hold keys '3' and '6' then "PROGRAM" button together for 3 seconds. The status bar will flash GREEN indicating enabled or RED indicating disabled. If ON and activated it can only be cleared by entering master code. Default is OFF.

### Nano Key Entry Modes

Press and hold '6' then "PROGRAM" together

To toggle Nano Key entry modes press and hold the '6' key then "PROGRAM" button together for 3 seconds. The status bar will indicate each mode as listed on page 14. You may also alternate modes in the Vaultek® Wi-Fi® app.

### Delete Fingerprint (Biometric Model Only)

Press and hold '3' then "PROGRAM" together then enter master code

To delete fingerprints press and hold the '3' key then "PROGRAM" button together until all status bar LEDs light up RED then enter your master code. This will remove all the fingerprints. You can delete individual fingerprints in the Vaultek® Wi-Fi® app or Web Dashboard.

### Dual Entry Mode (Biometric Model Only)

Press and hold '8' then "PROGRAM" together

To toggle the Dual Entry ON/OFF press and hold the '8' key then "PROGRAM" button together for 3 seconds. If the status bar glows GREEN, this feature is ON. If the status bar glows RED this feature is OFF. If the Dual Entry is toggled ON, you will be required to enter your master code and fingerprint (and vice versa) to open the safe. This mode requires that at least one fingerprint be programmed in the safe.

### Factory Reset

Press and hold '2' '7' then "PROGRAM" together

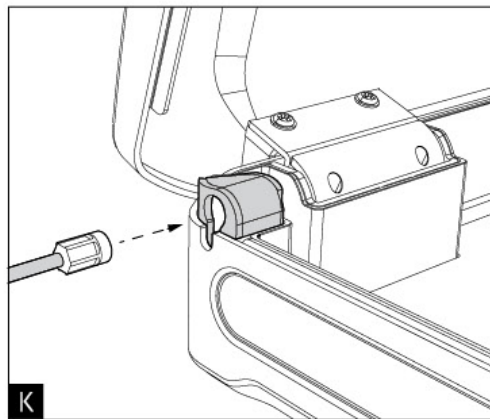
The Factory Reset erases ALL programmed information and restores the safe to its default settings. This includes any network configurations and enrolled fingerprints. The master code is reset to 1-2-3-4 and the safe will restart. The safe must be configured again to work with the Vaultek® Wi-Fi® smartphone app and the Web Dashboard. To perform a factory reset press keys '2' and '7' and "PROGRAM" together for 3 seconds.

## Securing Your Safe

Your Vaultek® safe can be secured a few different ways. Included is a security cable to attach your safe to larger stationary objects. There are also mounting screws included to mount the safe to a flat surface using the pre-drilled holes on the bottom.

### Securing Your Safe: Using the Security Cable

- 1 Loop the security cable around a secured object.
- 2 Run the end the cable through the eye of the other end and pull tight around the object.
- 3 Place the end of the security cable inside the fully enclosed quick release cable mount inside your Vaultek® safe as shown in (Figure K).
- 4 Make sure the safe closes with the cable secured inside the quick release cable mount.



### Securing Your Safe: Using the Mounting Screws

**Tip!** Make sure you have enough clearance for the lid to open properly before mounting the safe.

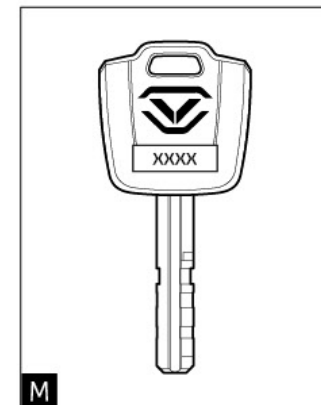
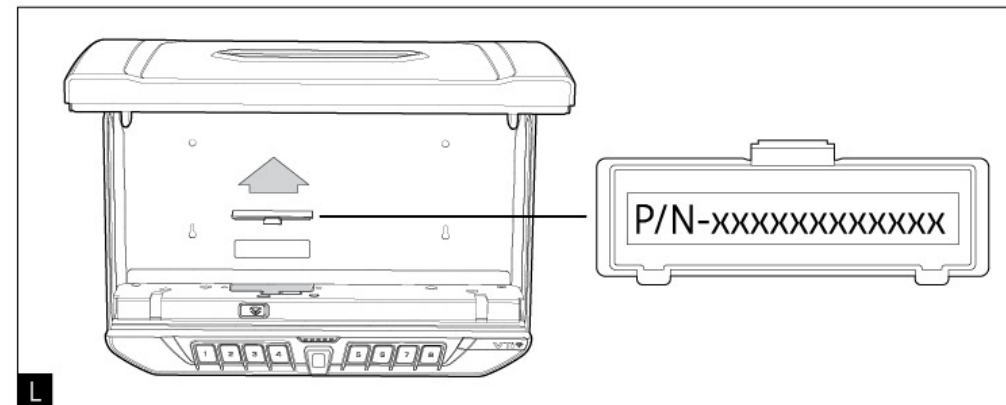
- 1 Position the safe on a flat surface where you want to mount it.
- 2 Use a pencil to mark the holes for drilling.
- 3 Drill pilot holes.
- 4 Position safe in place and install screws through safe into pilot holes. Tighten screws.

**IMPORTANT!** Mounting the safe vertically so that the door flips upward will result in incomplete opening of the safe due to weight. The door will open if the safe is mounted so that the door opens down or to the side.

## Product Registration

Vaultek® strongly encourages you to register your safe as soon as you receive it. **Registration provides many benefits including three year warranty, technical support, and ordering replacement keys should you misplace them.** Your Vaultek® safe has a unique product number on the inside of the battery door and a 4-digit ID number engraved on the keys. You will need these numbers to register your safe.

- 1 Locate your product number. It is printed on the first page of this user manual and on the inside of the battery door (Figure L).
- 2 Find your 4-digit ID number engraved on the keys (Figure M).
- 3 Simply scan the code with your phone's camera or visit the Vaultek® website at [vaulteksafe.com](http://vaulteksafe.com) and click Support then Product Registration.
- 4 Enter the required information in the form and click submit.



For setup, tutorials, and FAQs visit [www.vaulteksafe.com/support/vt-series/](http://www.vaulteksafe.com/support/vt-series/)

If you have any questions about your Vaultek® VT Series safe or need help configuring the system, please visit [www.vaulteksafe.com/support/vt-series/](http://www.vaulteksafe.com/support/vt-series/) and or email our support team at [support@vaulteksafe.com](mailto:support@vaulteksafe.com).

## Battery

### Can I keep the safe plugged in at all times?

Leaving your safe plugged in continually will **not** harm the safe or battery. However, to preserve the battery life we suggest that you unplug occasionally to allow the battery to cycle down.

### What happens to the fingerprints that are stored in my Vaultek® safe when the battery dies?

The safe retains all fingerprints in the event of battery failure. Once the power is restored by inserting the AC adapter cable, the unit will function as it did before the power loss.

### What type of battery does my Vaultek® safe use?

Use a 3.7V 18650 rechargeable lithium-ion battery with a flat top. A minimum 2000 mAh capacity is required, however 2200 mAh or higher can be used to increase operation time.

### Can I use a battery of more than 2000 mAh?

Yes, a minimum 2000 mAh capacity is required, however 2200 mAh or higher can be used to increase operation time.

### Fingerprint Scanner (Biometric Model Only)

### How do I improve fingerprint success rate?

The most helpful tip is to program the same finger 4 to 5 times. You have 20 slots available for programming and you can also try your thumb as it has more surface area to read. More tips on page 09.

### If I cut my finger, does the fingerprint heal the same as before and will it open my safe?

Usually yes, although if the cut is significant or requires stitches scar tissue may form as a result causing a change in your fingerprint. That is why we recommend enrolling additional user fingerprints and also fingerprints from your other hand.

## Keys

### What happens if I lose the keys?

First, make sure you registered your safe in the event you do lose your keys. Visit support at [vaulteksafe.com](http://vaulteksafe.com). Be prepared to provide your order details and product number.

## Models

### What other models are available?

Refer to our website to see all the available models. Also, feel free to sign up for our newsletter to receive the latest news on all things Vaultek®.

## Traveling

### Can I travel with my Vaultek® safe through US Customs or TSA Security at the airport?

Yes, there are no restrictions on carrying this type of item. Please be aware that you may be asked to open your safe. Rather than passing it through x-ray we recommend that an enrolled user be present during the transport of this item in case such a request is made by a government authority. If transporting a firearm, be sure the safe is checked or included with checked luggage and that you notify your airline agent at check in.

## Troubleshooting More online at [vaulteksafe.com](http://vaulteksafe.com) under Support

If you experience any issues with your safe, try the following solutions.

### **Nano Key is not working.**

After pairing you need to assign an entry mode. Refer to Enable Nano Key on page 13. After Nano Key is paired you need to assign to either On Demand or Progressive entry mode, otherwise Nano Key will disable after pairing.

### **Fingerprint scanner works sometimes and not others.** (Biometric Model Only)

We have a few suggestions to help improve the success rate on page 09.

### **Lid is not engaging.**

The lid requires a firm press. You will feel the latches engage if you press slowly. Feel/listen for the click.

### **The keypad is not responding**

Remove the battery and reinstall. This is a soft reset for the safe. See if you are able to open the safe using the keypad or reprogram the safe's master code. If you are still experiencing issues please visit Support at [vaulteksafe.com](http://vaulteksafe.com) for assistance.

### **Sound is not working.**

To toggle the sound ON/OFF press and hold keys '1' and '3' together for 3 seconds. If the status bar glows GREEN and beeps, the sound is ON; if the status bar glows RED the sound is off. If the sound is toggled on and you still can't hear it, have someone in your house listen. The tones are high pitch.

### **Unable to change master code.**

Refer to page 08 of the user manual or check our tutorials online at [vaulteksafe.com](http://vaulteksafe.com) under Support/Tutorials.

**Soft Reset Tip!** Remove the battery and reinstall. This is a soft reset to the safe. Refer to page 07 for more details.

**STOP!** Do not return to retailer. If you have any questions about your Vaultek® safe or need help configuring the system, please visit [www.vaulteksafe.com/support/vt-series/](http://www.vaulteksafe.com/support/vt-series/) and or email us at [support@vaulteksafe.com](mailto:support@vaulteksafe.com).

For setup, tutorials, and FAQs visit [www.vaulteksafe.com/support/vt-series/](http://www.vaulteksafe.com/support/vt-series/)

## Customer Support

If you have a problem with your Vaultek® safe that is not answered in the FAQ or Troubleshooting section of this manual, we encourage you to visit [www.vaulteksafe.com/support/vt-series/](http://www.vaulteksafe.com/support/vt-series/).

## Limited Warranty: Terms and Conditions

VAULTEK® IS COMMITTED TO PROVIDING PRODUCTS OF HIGH QUALITY AND VALUE AND MAKES EVERY EFFORT TO ENSURE ITS PRODUCTS ARE FREE OF DEFECTS.

Vaultek® guarantees your safe will be free of defects in materials or workmanship for a period of two years from the date of original purchase from an authorized dealer and three years with verified product registration.

The warranty is only valid for the original purchaser and not transferable. This warranty is only valid for products purchased and operated in the U.S. This warranty does not cover abuse, misuse, use in any manner for which is not designed, neglected, modification, damage inadvertently caused by the user, accidents and/or tampering.

If service is needed Vaultek will, at its option, exchange or repair without charge for parts or labor. Upon authorization of warranty service, customers are responsible for securely packaging product. Additionally, customers are responsible for costs of shipping to and from Vaultek service center.

If the claimed defect cannot be identified or reproduced, customers will be held responsible for the costs incurred. Please have the following information available before you begin a claim with Vaultek:

- Purchaser's name, mailing address, email address, and a phone number.
- Copy of receipt or online order number (if purchased directly from us or Amazon)
- Authorized Dealer Name (if applicable)
- Detailed description of the problem

NEITHER SELLER NOR MANUFACTURER SHALL BE LIABLE FOR ANY INJURY, LOSS OR DAMAGE, DIRECT OR CONSEQUENTIAL, ARISING OUT OF THE USE OF, OR THE INABILITY TO USE THE VAULTEK® SAFE.

For setup, tutorials, and FAQs visit [www.vaulteksafe.com/support/vt-series/](http://www.vaulteksafe.com/support/vt-series/)

## FCC

This device has been evaluated to meet general RF exposure requirement. The device can be used in portable exposure condition without restriction. Federal Communication Commission (FCC) Radiation Exposure Statement. Power is so low that no RF exposure calculation is needed.

### FCC statements:

This device complies with part 15 of the FCC rules. Operation is subject to the following two conditions: (1) this device may not cause harmful interference, and (2) this device must accept any interference received, including interference that may cause undesired operation.

NOTE: The manufacturer is not responsible for any radio or TV interference caused by unauthorized modifications or changes to this equipment. Such modifications or changes could void the user's authority to operate the equipment.

NOTE: This equipment has been tested and found to comply with the limits for a Class B digital device, pursuant to part 15 of the FCC Rules. These limits are designed to provide reasonable protection against harmful interference in a residential installation. This equipment generates uses and can radiate radio frequency energy and, if not installed and used in accordance with the instructions, may cause harmful interference to radio communications. However, there is no guarantee that interference will not occur in a particular installation. If this equipment does cause harmful interference to radio or television reception, which can be determined by turning the equipment off and on, the user is encouraged to try to correct the interference by one or more of the following measures:

- Reorient or relocate the receiving antenna.
- Increase the separation between the equipment and receiver.
- Connect the equipment into an outlet on a circuit different from that to which the receiver is connected.
- Consult the dealer or an experienced radio/TV technician for help.

For setup, tutorials, and FAQs visit [www.vaulteksafe.com/support/vt-series/](http://www.vaulteksafe.com/support/vt-series/)





**VAULTEK®**

37 North Orange Ave. Suite 770 Orlando, FL 32801

[VAULTEKSAFE.COM](http://VAULTEKSAFE.COM)