



MX SERIES ViSN Model NMX2i

Instructions + Quick Setup Guide

QUICK SETUP GUIDE

Follow these steps to get your safe up and running.

Step 1: Plug in the safe and install four AAA batteries. (Batteries not included) This safe needs to be plugged in continuously for normal function and four AAA batteries need to be installed. These batteries provide backup power in the event of a power outage and will provide power for about 3 months in Low Power Mode allowing quick access to the safe.

Important! The safe will beep periodically until four AAA batteries are installed to alert you that no batteries are installed.

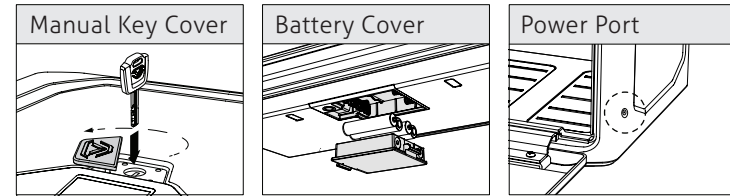
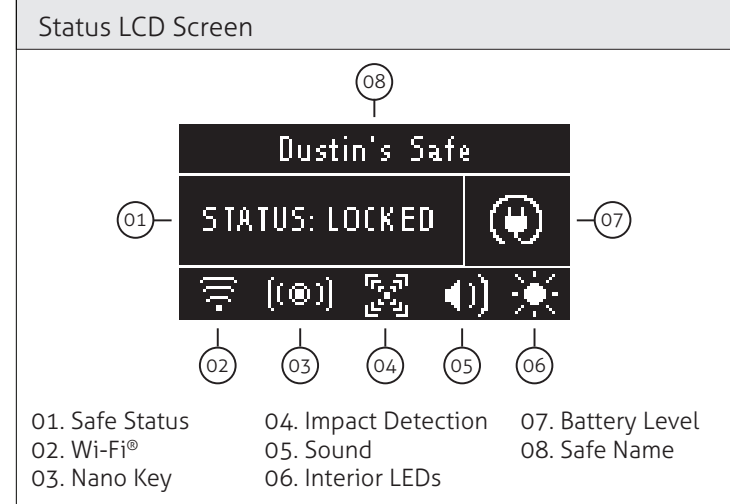
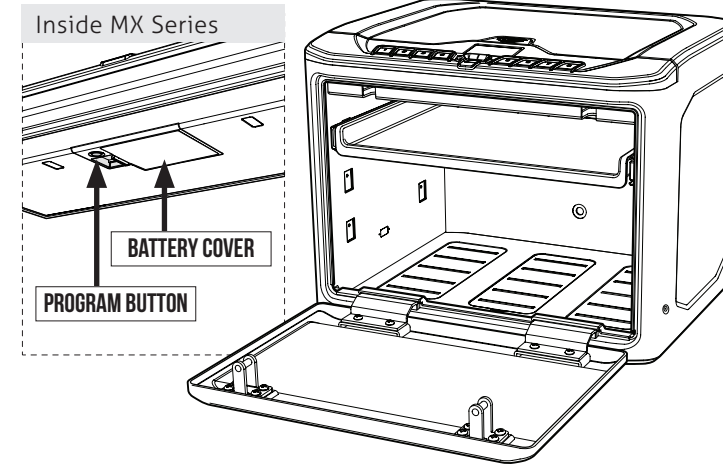
Step 2: Setup your safe with Vaultek® ViSN™ smartphone app. Using the Vaultek ViSN smartphone app, you can program your safe, customize safe settings, and receive live alerts of critical safe activity from anywhere around the world.

Step 3: Program the Master Code and Biometric Scanner. The ViSN smartphone app will guide you through programming.

Step 4: Register the safe. Registration provides many benefits including three year warranty, technical support, and ordering replacement keys should you misplace them.

AT A GLANCE

The Vaultek® MX Series ViSN model NMX2i is a tough and rugged, quick access, ViSN™ enabled smart safe. Its solid structure and penetration resistant design makes it ideal for storing valuables such as firearms, jewelry, cash, and other personal items. Powered by the AC power adapter, and backup batteries, the safe combines high security with complete access control.



WARNINGS

To prevent damage to your Vaultek® unit or injury to yourself or to others, read the following safety precautions before using this unit.

- **Before using this safe,** inspect the safe to make sure the door latches properly. You can perform a quick test by using the included mechanical key. Open and close the safe 5 times. Do not use the product if you notice any problem or defect. Please email Vaultek customer support at support@vaulteksafe.com.
- **Always check to make sure the safe door has latched when closing.** This safe uses a rugged latch system. When closing press firmly near the center of the front door. Door requires a firm press and will lock automatically when closed properly.
- **Change the default code as soon as possible to prevent unauthorized access to your safe.**
- **DO NOT** lose the keys. In the event of power outage four AAA batteries will last about 3 months in Low Power Mode.
- **DO NOT** place or store the backup keys inside the safe at any time.
- **DO NOT** store loaded guns in this unit. Firearms are serious in nature and must be handled with respect. Store responsibly.
- Keep this product away from small children as the package contains small items that could become a choking hazard.

Plug-In Required: This safe is powered by the AC power adapter and needs to be plugged in continuously for normal function.

Backup Battery Required: This safe has backup power via four AAA batteries (not included) and needs them for normal function.

Keypad: The numeric keypad responds quickly for rapid access and has a built-in proximity sensor that lights up when your hand brushes against the safe.

Biometric Scanner: ViSN Mode can store up to 80 fingerprints, while Essential Mode supports up to 20 fingerprints.

Key: Two keys are provided for manual access to the safe.

Vaultek ViSN: Guided programming, manage safe settings, and receive live alerts from anywhere around the world with ViSN.

Nano Key 3.0 Technology: Open the safe with Nano Key 3.0. A quick access panic button. Pair using the Vaultek ViSN smartphone app.

Security Sleep Mode: Activates when six (6) consecutive incorrect keypad entries are entered or (6) incorrect fingerprint scans are made. The safe will not accept any entries for four minutes. If any additional attempts are made the alarm will beep. The security sleep mode can be cleared upon unlock of the safe by any authorized access method including the backup keys.

POWER

This MX Series ViSN safe needs to be plugged in continuously for normal function including the use of ViSN and four AAA batteries need to be installed.

In the event of a power outage, the safe will switch to Low Power Mode and the backup battery will last about 3 months in this mode. The safe will go online only when the safe is awake, and offline when in standby. During standby, Nano Key is NOT supported.

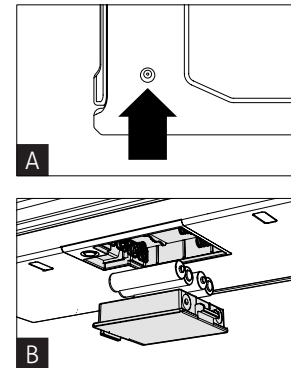
Plug-In Required

1. Plug in the safe using the included power adapter (A).

Backup Batteries Required

1. Open the safe. Key entry is located at top of the safe.

2. Remove the battery compartment by pressing down on the tab near the top of the battery cover. Install four AAA batteries (B). For optimal performance, we recommend Duracell/Energizer or other reputable brands.



Online Support, Tutorials, and Vaultek® ViSN™

Scan QR code with your phones camera or visit vaulteksafe.com/support and select your model.



SET UP YOUR SAFE WITH ViSN™

The Vaultek ViSN smartphone app guides you step by step through programming your safe and gives you access to advanced features not possible with the keypad alone. Combined with the web dashboard, you'll have complete control and enhanced functionality at your fingertips.

Program the Master Code and Biometric Scanner: Step by step programming instructions via the ViSN smartphone app.

Live Alerts: Receive real time alerts of critical safe activity.

Customize Safe Settings: Interior Light Brightness, Sound Levels, Alert Preferences, and more from the ViSN smartphone app.

1. Smartphone App: Download the Vaultek ViSN smartphone app from Google Play or the Apple Store. Open the app and follow the on-screen prompts.

Web Dashboard: Go to www.vaultekvisn.com. Safe programming not available with the ViSN web dashboard.

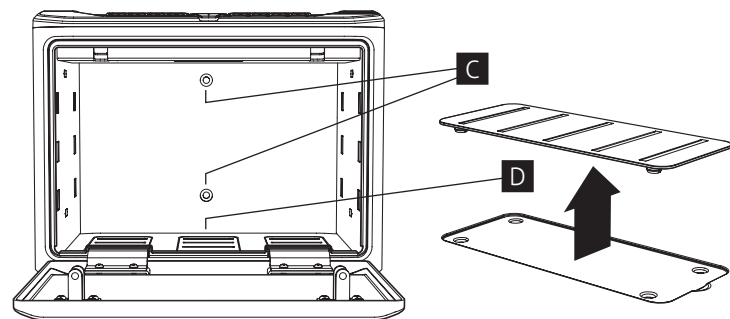
Need help? Visit vaulteksafe.com/support and select your model for troubleshooting and other helpful information. You can also email our support team at support@vaulteksafe.com.

MOUNTING

Your Vaultek safe can be secured via the included mounting screws to a flat surface using the pre-drilled holes on the bottom and back of the safe.

Wall Mounting: Locate the holes on the back of the safe (C).

Floor Mounting: Remove the covers to access bottom mounting holes (D).



Visit our mobile-friendly online guide. Includes tutorial videos at vaulteksafe.com/support and select your model.

PROGRAMMING

Using the Vaultek ViSN smartphone app, you can program your safe with guided step by step instructions.

- Master Code Programming
- Biometric Scanner Programming
- Nano Key Programming

1. Smartphone App: Download the Vaultek ViSN smartphone app from Google Play or the Apple Store. Open the app and follow the on-screen prompts.

Essential Mode: If you don't want to use Wi-Fi connectivity via ViSN you can place the safe in Essential Mode. This mode allows the safe to be programmed as a standalone safe including the master code and biometric scanner without the need for Wi-Fi connectivity. Wi-Fi features from ViSN and Nano Key are not supported in Essential Mode. Reference the "Essential Mode Hotkeys" section of this manual for further details.

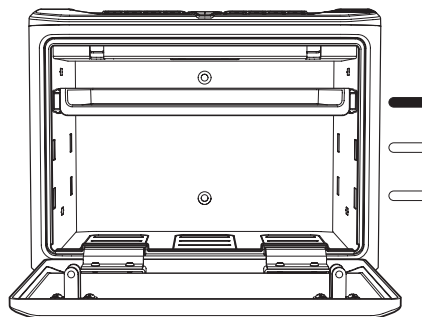
Visit our mobile-friendly online guide. Includes tutorial videos at vaulteksafe.com/support and select your model.

MODULAR INTERIOR

Your MX Series safe features a customizable interior system with a height adjustable pull out shelf and drop in modules to help with storage and organization.

Adjust Interior Shelf Height

1. Lift the shelf vertically to remove from mounting brackets.
2. Remove the screw/mounting brackets from the sidewalls and reinstall at the desired height.
3. Place shelf back onto the mounting brackets and press down firmly to install.



Drop In Modules: Different modules are available for purchase.

1. Remove the covers to access the slots to attach each module, and snap into place (D).

KEYPAD HOTKEYS

Your MX Series ViSN safe has settings which are accessible using the keypad hotkeys and Vaultek ViSN smartphone app.

Tamper Detection: Press and hold keys '2' and '4' together. The screen will indicate TAMPER OCCURRED or CLEAR. You can reset the tamper detection by opening the safe through one of the authorized entry points.

Battery Status: Press and hold keys '6' and '8' together for 3 seconds. The screen will indicate the battery level.

Sound (Medium by Default): Press and hold the '1' and '3' keys together to toggle through each sound option; Low, Medium, High, or OFF.

Factory Reset: Open the safe using the included key and leave the key turned all the way in the clockwise position. Press and hold keys '2' '7' and Program button together until the safe restarts. The factory reset will erase all programmed information and restores the safe to its factory default settings. This includes any network configurations. The master code is reset to 1-2-3-4, and the safe will restart. The safe's Wi-Fi will need to be configured again to enable all the ViSN features.

ESSENTIAL MODE HOTKEYS

Essential Mode has settings that are accessible using the keypad hotkeys only. In ViSN Mode, these same settings are accessible using the smartphone app.

Safe Mode (ViSN or Essential): By default your safe is in ViSN Mode. Essential mode can be enabled by pressing and holding the '8' key and Program button together until the safe restarts. You can toggle between modes as needed, and the safe will retain all programming and system settings for each mode.

ViSN Modes allows you to connect your safe to Wi-Fi which gives you access and control over features that are not possible in Essential mode. In addition, to live alerts of critical safe activity. **Essential Mode** allows the safe to be programmed as a standalone safe without the need for Wi-Fi connectivity. Nano Key is not supported in Essential Mode.

Essential Mode Programming the Master Code and Biometric Scanner: Visit vaulteksafe.com/support and select your model for programming instructions. Nano Key is not supported in this mode.

Essential Mode Hotkeys: For the full list of keypad hotkeys such as Open Door Alarm visit vaulteksafe.com/support and select your model. You can also scan the QR code in this user manual.

PRODUCT REGISTRATION

Vaultek strongly encourages you to register your safe as soon as you receive it. **Registration provides many benefits including three year warranty, technical support and ordering replacement keys should you misplace them.** Your Vaultek safe has a unique product number located on the battery cover. There is also a unique 4-digit ID number engraved on the keys. You will need these numbers to register your safe.

1. Please visit the Vaultek website at vaulteksafe.com and click Support/Product Registration and enter the required information.

SUPPORT

If you have any questions about your safe or need help configuring the system, we encourage you to visit vaulteksafe.com/support/ and select your model for troubleshooting, FAQs, and helpful videos. You can also email us at support@vaulteksafe.com.

Visit our mobile-friendly online guide. Includes tutorial videos at vaulteksafe.com/support and select your model.

FCC

REV 123024

This device has been evaluated to meet general RF exposure requirement. The device can be used in portable exposure condition without restriction. Federal Communication Commission (FCC) Radiation Exposure Statement. Power is so low that no RF exposure calculation is needed.

FCC statements:

This device complies with part 15 of the FCC rules. Operation is subject to the following two conditions: (1) this device may not cause harmful interference, and (2) this device must accept any interference received, including interference that may cause undesired operation.

NOTE: The manufacturer is not responsible for any radio or TV interference caused by unauthorized modifications or changes to this equipment. Such modifications or changes could void the user's authority to operate the equipment.

NOTE: This equipment has been tested and found to comply with the limits for a Class B digital device, pursuant to part 15 of the FCC Rules. These limits are designed to provide reasonable protection against harmful interference in a residential installation. This equipment generates uses and can radiate radio frequency energy and, if not installed and used in accordance with the instructions, may cause harmful interference to radio communications. However, there is no guarantee that interference will not occur in a particular installation. If this equipment does cause harmful interference to radio or television reception, which can be determined by turning the equipment off and on, the user is encouraged to try to correct the interference by one or more of the following measures:

- Reorient or relocate the receiving antenna.
- Increase the separation between the equipment and receiver.
- Connect the equipment into an outlet on a circuit different from that to which the receiver is connected.
- Consult the dealer or an experienced radio/TV technician for help.