



SLIDER SERIES

Essential Model SL2e

Instructions + Quick Setup Guide



Quick Setup, Tutorials, and Troubleshooting

Scan QR code with your phone's camera or visit vaulteksafe.com/support and select your model.

QUICK SETUP GUIDE

Follow these steps to get your safe up and running.

Step 1: Remove the Mounting Plate.

Step 2: Install Four AAA Batteries.

Your safe requires four AAA batteries and can be left plugged in continuously. The batteries provide power for about 1 year.

Important! The safe will beep periodically until the backup batteries are installed to alert you that no batteries are installed.

Step 3: Program the Master Code.

First time users should change the default code as soon as possible to prevent unauthorized access to your safe, so it should be kept confidential.

Step 4: Register the safe.

Registration provides many benefits including three year warranty, technical support, and ordering replacement keys should you misplace them.

Have any questions about your safe or need help configuring the system, we encourage you to visit vaulteksafe.com/support/ and select your model for tutorials and other helpful resources.

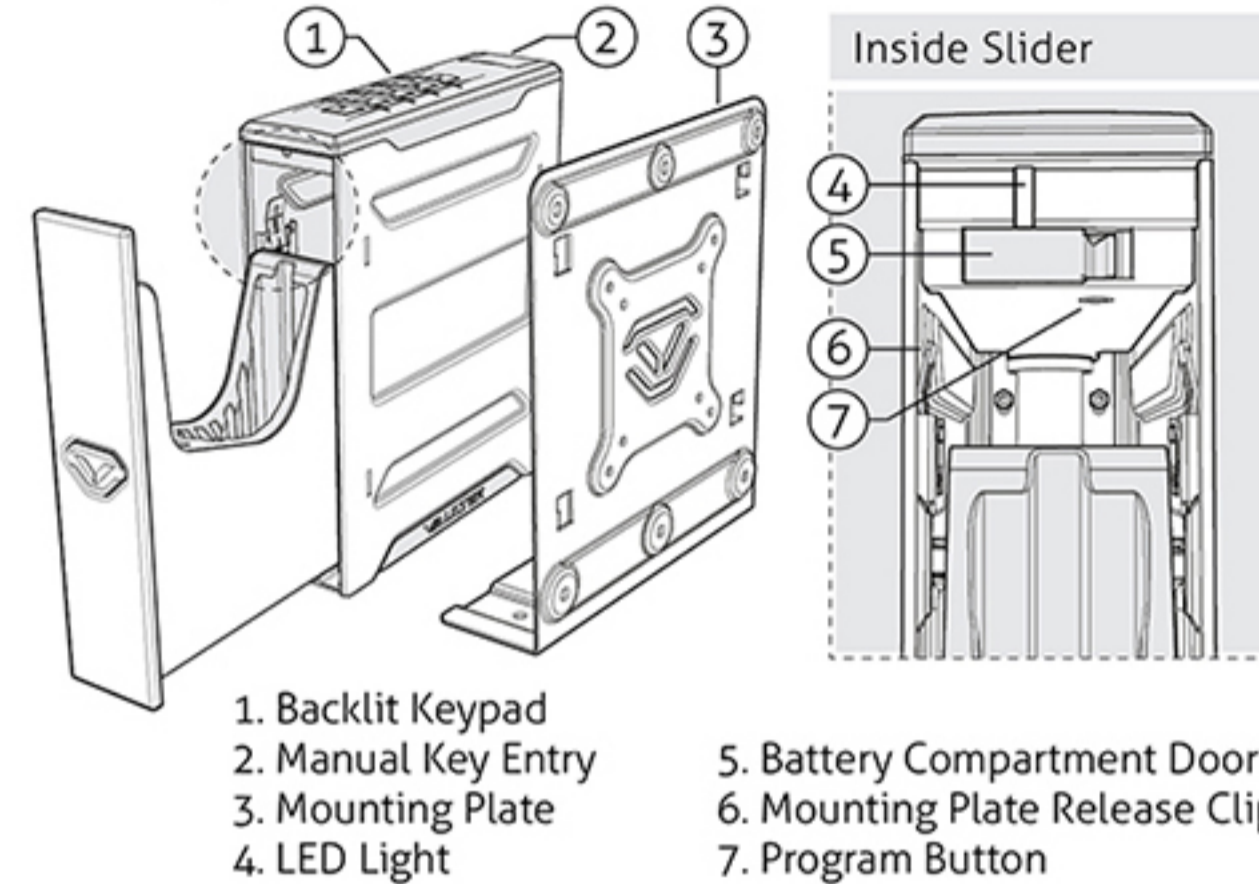
WARNINGS

To prevent damage to your Vaultek® unit or injury to yourself or to others, read the following safety precautions before using this unit.

- **Before using this safe,** inspect the safe to make sure the door latches properly. You can perform a quick test by using the included mechanical key. Open and close the safe 5 times. Do not use the product if you notice any problem or defect. Please email Vaultek customer support at support@vaulteksafe.com.
- **Always check to make sure the safe door has latched when closing.** This safe uses a rugged latch system. When closing press firmly near the center of the front door. Door requires a firm press and will lock automatically when closed properly.
- **Change the default code as soon as possible to prevent unauthorized access to your safe.**
- **DO NOT** lose the keys.
- **DO NOT** place or store the backup keys inside the safe at any time.
- **DO NOT** store loaded guns in this unit. Firearms are serious in nature and must be handled with respect. Store responsibly.
- Keep this product away from small children as the package contains small items that could become a choking hazard.

AT A GLANCE

The Vaultek® SL2e part of Slider Series is a tough and rugged, quick access safe. Its solid structure and penetration resistant design makes it ideal for quick firearm access. Powered by four AAA batteries, and optional AC power, the safe combines high security with complete access control.



Battery Power: This safe has battery power via four AAA batteries (not included) and needs them for normal function.

Optional Plug-In Power: This safe can be plugged into a power source using an AC power adapter and USB-C cable. Great in the event you lose the keys and the battery dies. Simply plug-in the safe to a power source to have continuous power.

Low Battery Warning: If the first key blinks RED several times and you hear several rapid beeps when opening the safe, your battery level is critically low and your safe needs to be charged immediately.

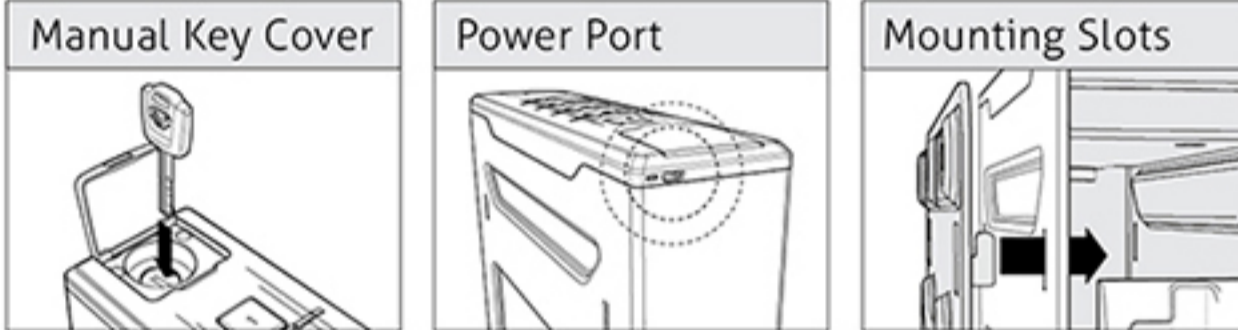
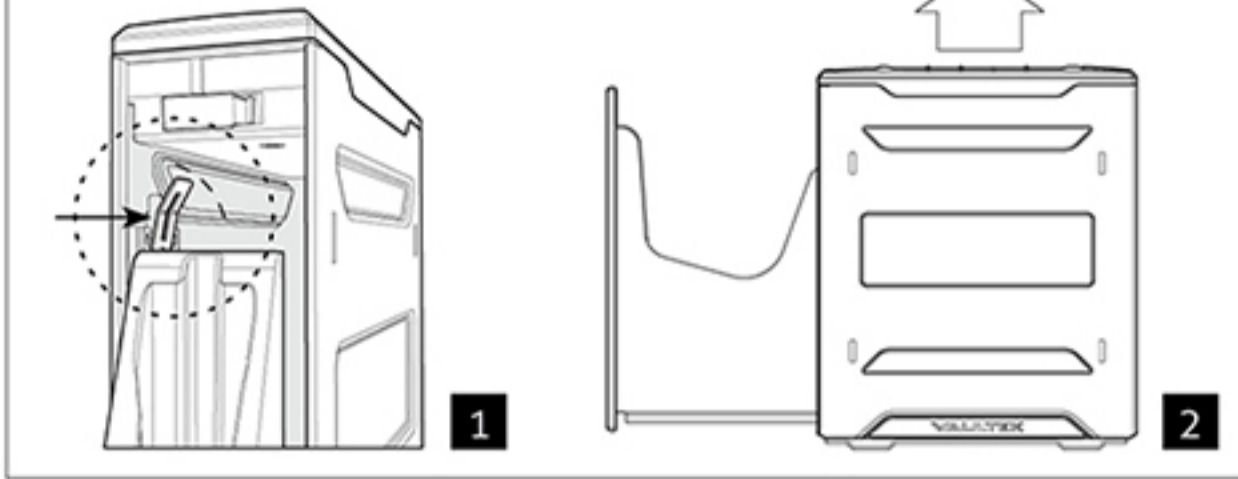
Smart Sense™ Digital Keypad: Vaultek's exclusive keypad technology uses a proprietary touch-sensitive design that responds to quick simple taps.

Key: Two keys are provided for manual access to the safe and are required to clear security sleep mode. Do not lose the keys.

Security Sleep Mode: Activates when six (6) consecutive incorrect keypad entries are entered. The safe will not accept any entries for four minutes. If any additional attempts are made the alarm will beep. The security sleep mode can be cleared upon unlock of the safe by the backup keys.

Removing the Mounting Plate from the Safe

1. Open the safe. Locate the release clip on the same side as the attached mounting plate.
2. Use your thumb or finger to pull the release clip back, and lift the safe off the mount at the same time. The safe will not remove without pulling the release clip back.

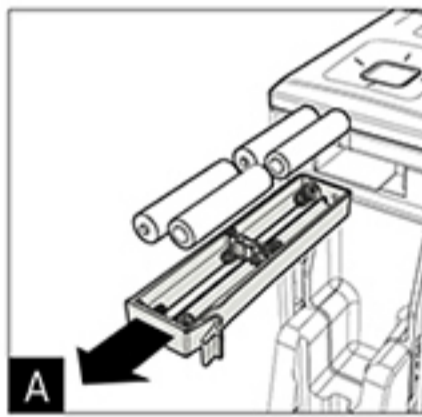


BATTERY POWER

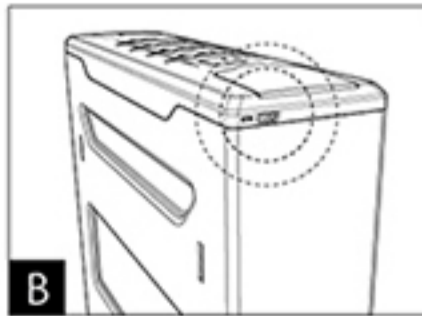
This safe is powered by four AAA batteries that need to be installed. The batteries will run and last about 1 year. The included backup keys can be used at any time.

Battery Power

1. Open the safe. Key entry is located at front of the safe.
2. Remove the battery compartment. Press the tab near the right of the compartment, allowing the battery compartment to slide out (A).



3. Install four AAA batteries (A). For optimal performance, we recommend Duracell/ Energizer or other reputable brands.



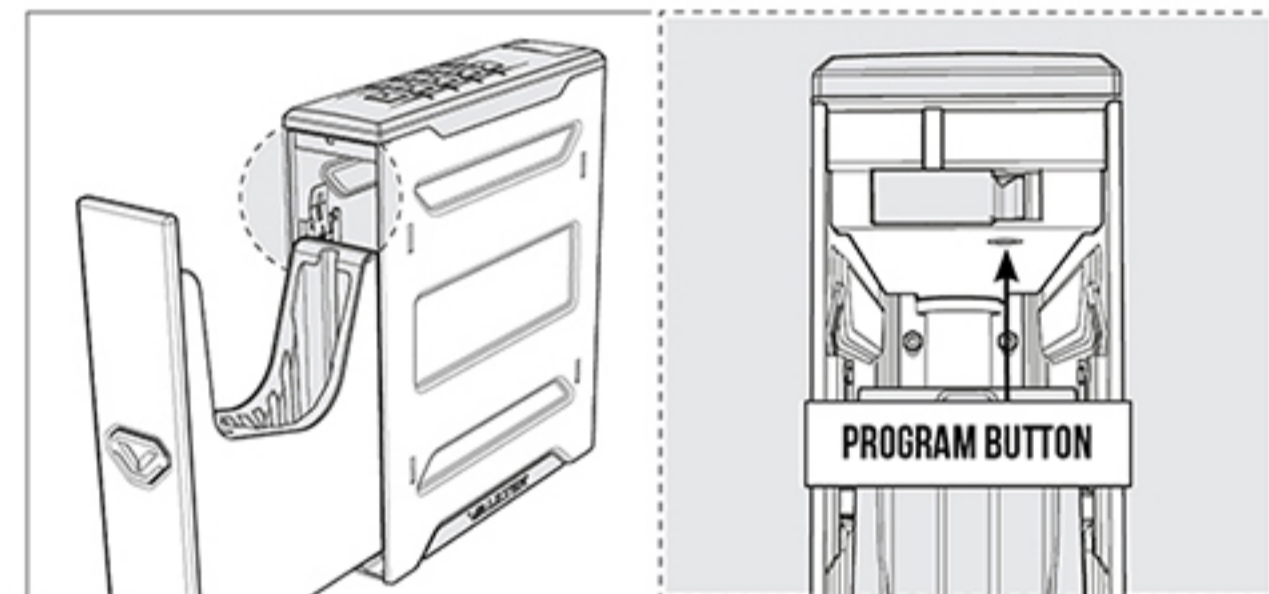
Optional Plug-In Power

The event you lose the keys and the battery dies, plug-in the safe to a power source.

1. Plug-in the safe to a power source using a USB-C cable and an AC power adapter (B). This provides continuous power.

MASTER CODE TIPS

- Your code can be as short as 4 digits, or up to 8 digits in length. We recommend a code 6 to 8 digits in length using at least one of each key to make it more difficult for someone to guess.
- Avoid easy-to-guess digits such as 1234, 1111, 2222, etc.
- Two keys cannot be pressed simultaneously.
- The default master code is 1-2-3-4-5.
- Programming a new master code will overwrite your previous code.



MASTER CODE PROGRAMMING

First time users should change the default code as soon as possible to prevent unauthorized access.

1. Open the safe. Note, keys are included. With the safe open, press and hold the '1' key and Program button (3 seconds) together until all keys turn RED and let go.
2. Enter your NEW master code.
3. **IMMEDIATELY** Press and hold the '1' key and Program button a second time (3 seconds) until all keys turn RED and let go.
4. Enter your NEW master code a second time.
5. **IMMEDIATELY** Press and hold the '1' key and Program button together a third time (3 seconds) until the safe beeps and all keys turn GREEN and let go. This tone confirms that the code has been reset.

Troubleshooting! If you make a mistake and the new code will not work, simply start over with step 1.

KEYPAD HOTKEYS

Tamper Detection: To check for tampering press and hold keys '2' and '4' together for 3 seconds. The '3' key will glow RED to indicate tampering or GREEN to indicate no tampering. You can reset the tamper detection by opening the safe through one of the authorized entry points.

Sound: To toggle the sound setting press and hold keys '1' and '3' together for 3 seconds.
If the '2' key glows RED, the sound is Off.
If the '2' key glows GREEN and beeps, the sound is Low.
If the '2' and '4' keys glow GREEN and beep, the sound is Medium.
If the '2' '4' and '5' keys glow GREEN and beep, the sound is High.

Battery Status: To check the battery level press and hold the '5' key on the keypad (3 seconds). Keys from '1' to '4' will glow GREEN or RED to indicate the battery level.

Open Door Alarm: Your safe features an open door alarm that will sound when the safe door is left open for more than 10 minutes. By default, this alarm is ON. To toggle press and hold keys '3' and '4' then Program button together (3 seconds). The keypad will indicate ON or OFF.

Alert of Unauthorized Access: If enabled, and someone opens the safe by picking the lock, the keypad will start flashing RED and beep. To toggle Alert Unlock press and hold keys '2' '3' key and the Program button together for 3 seconds. The keypad will flash GREEN indicating enabled or RED indicating disabled. If ON and activated it can be cleared by entering the master code or using the keys.

Factory Reset: Open the safe using the included key and leave the key turned all the way in the clockwise position. Press and hold keys '1' '5' and Program button together until the safe restarts. The factory reset will erase all programmed information and restores the safe to its factory default settings. The master code is reset to 1-2-3-4-5, and the safe will restart.

PRODUCT REGISTRATION

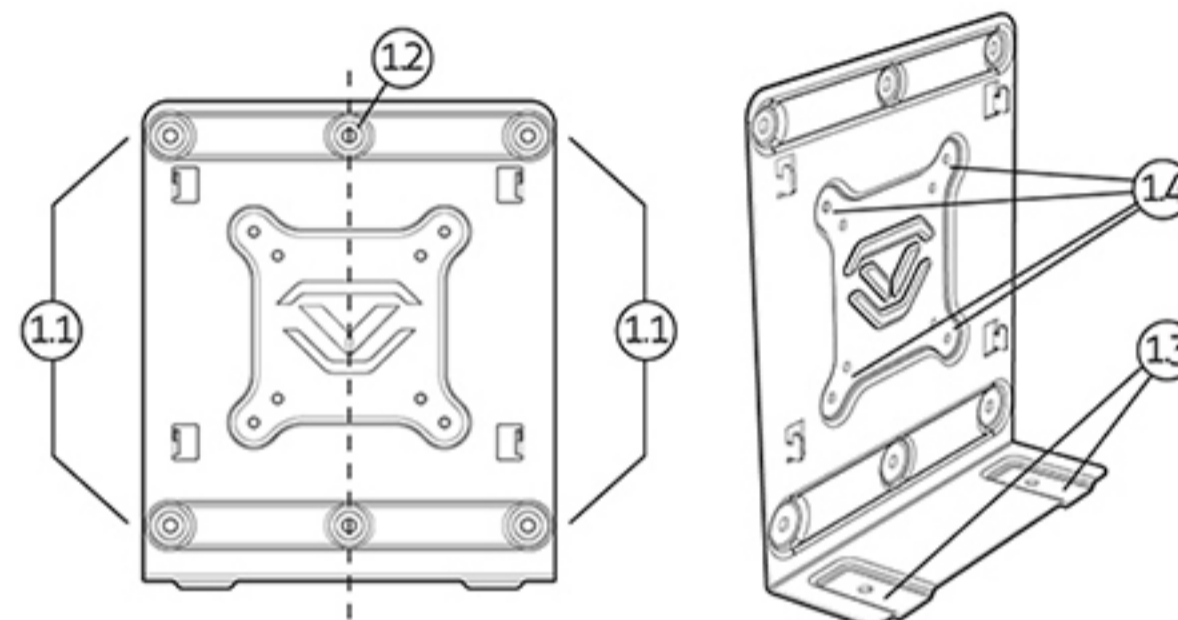
Vaultek strongly encourages you to register your safe as soon as you receive it. **Registration provides many benefits including three year warranty, technical support and ordering replacement keys should you misplace them.**

1. Please visit the Vaultek website at vaulteksafe.com and click Support/Product Registration and enter the required information.

MOUNTING PLATE OVERVIEW

Your Vaultek safe can be secured to vertical surface via the included mounting plate and hardware.

There are multiple configurations for mounting. A four point configuration can be used for standard vertical surface mounting (1.1), two point mounting for installing in a vertical wall stud (1.2), and additional base mounts (1.3). The mounting plate also features standard VESA 75mm and 100mm fitment for use with other adapter plates (1.4). Hardware for VESA fitment not included.



SECURING THE MOUNTING PLATE

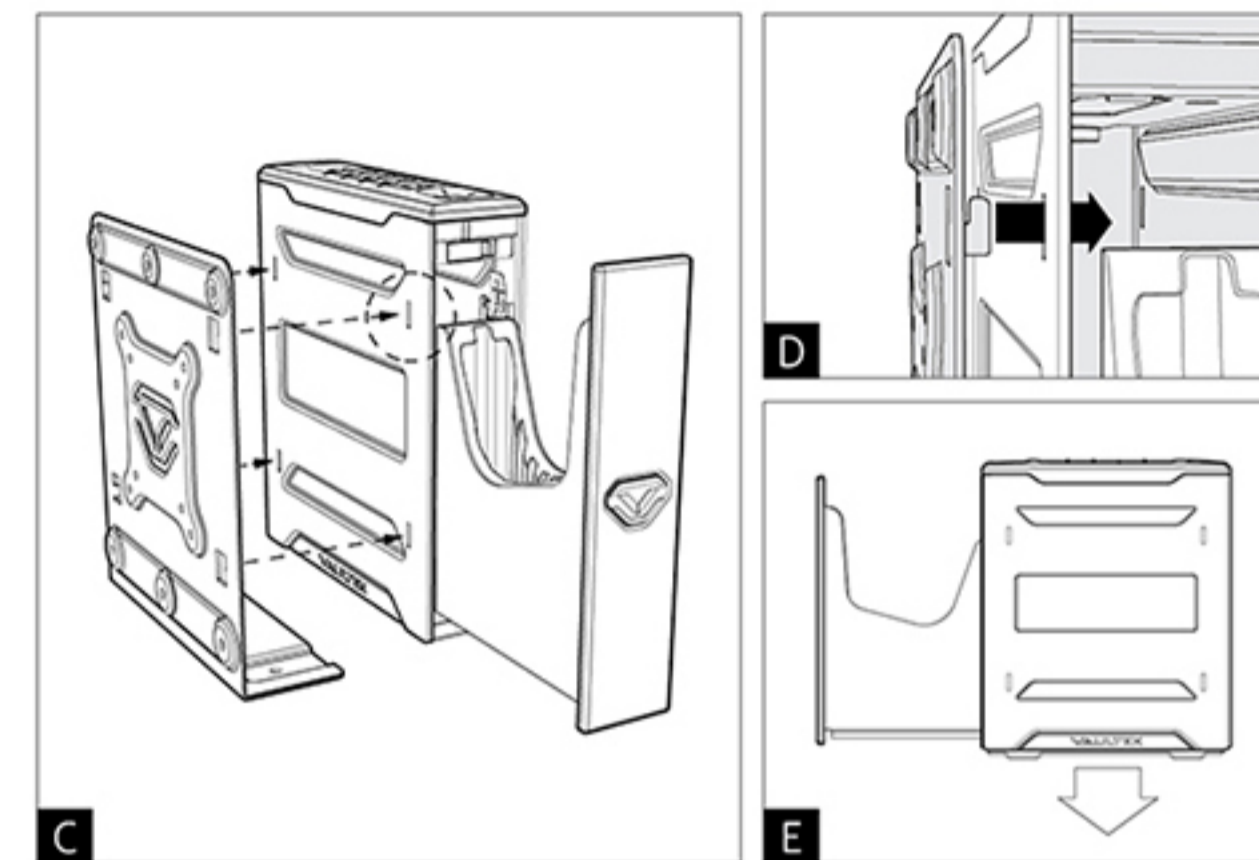
Tip! Your safe can install on the mounting plate from the left or right side.

Important! When installing the plate, be sure the bottom is parallel to the floor (E) so the safe opens horizontally. Angling the plate or aiming the safe downwards can affect the rail mechanics and prevent safe from opening correctly.

1. Locate mounting surface, making sure the safe will have enough clearance to open properly prior to installing.
2. Hold mounting plate in place and use a pencil to mark desired hole locations. Drill 7/32" inch pilot holes.
3. Using hardware provided fasten mounting plate in place and tighten firmly.

ATTACHING THE MOUNTING PLATE

1. Locate the 4 receiving slots located on the safe sides, and the 4 tabs located on the mounting plate.
2. Fully insert the tabs on the mounting plate into the receiving slots on the safe (C/D), and press the safe downwards to lock in place (E).



SUPPORT

If you have any questions about your safe or need help configuring the system, we encourage you to visit vaulteksafe.com/support/ and select your model for troubleshooting, FAQs, and helpful videos. You can also email us at support@vaulteksafe.com.

FCC

REV 111324

This device complies with part 15 of the FCC rules. Operation is subject to the following two conditions:

- (1) this device may not cause harmful interference, and
- (2) this device must accept any interference received, including interference that may cause undesired operation.

NOTE: The manufacturer is not responsible for any radio or TV interference caused by unauthorized modifications or changes to this equipment. Such modifications or changes could void the user's authority to operate the equipment.

Visit our mobile-friendly online guide. Includes tutorial videos at vaulteksafe.com/support and select your model.